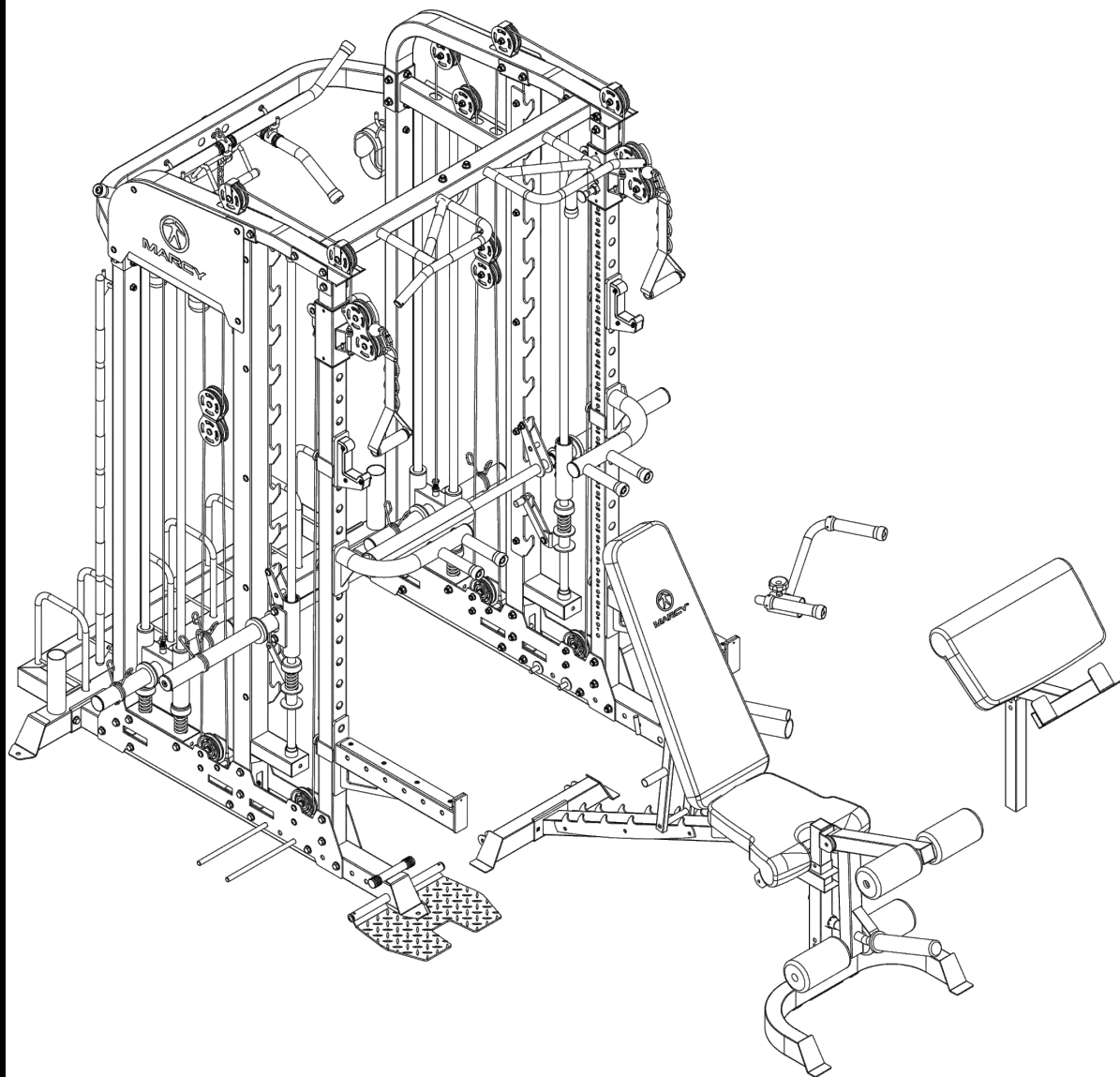


MARCY®

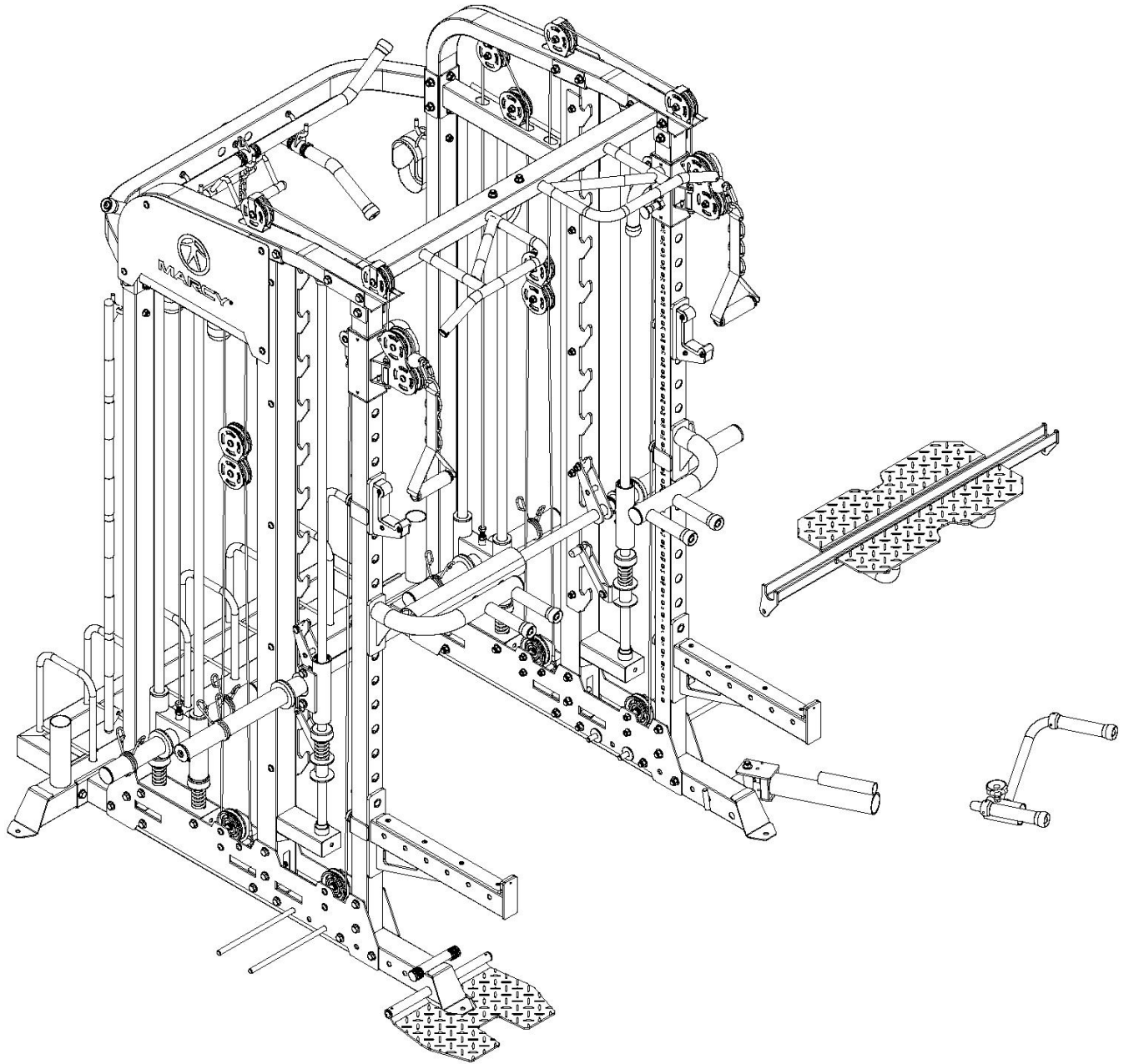
MARCY PRO DELUXE SMITH CAGE SM-7553

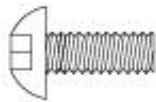


IMPORTANT: Please read the Important Safety Notice and Assembly Information in the Owner's manual before assembling this product.

Assembly Manual

220801

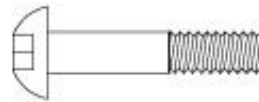




114 × 2



115 × 2



117 × 4



118 × 107



119 × 45



123 × 32



124 × 20



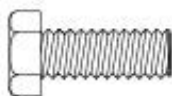
125 × 3



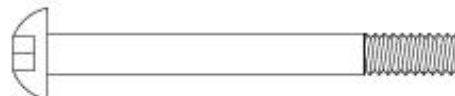
126 × 2



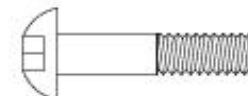
127 × 4



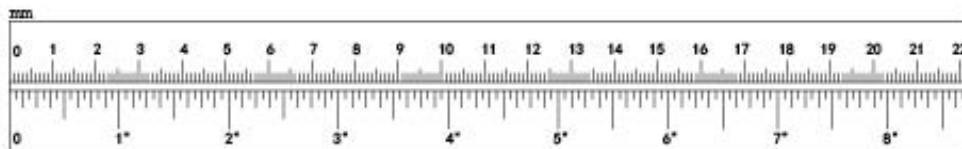
128 × 4

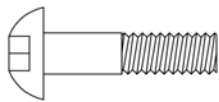


129 × 20

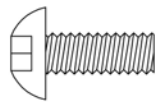


130 × 14

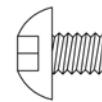




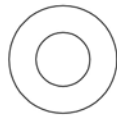
131 × 2



132 × 14



133 × 8



134 × 134



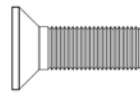
135 × 22



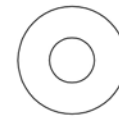
136 × 67



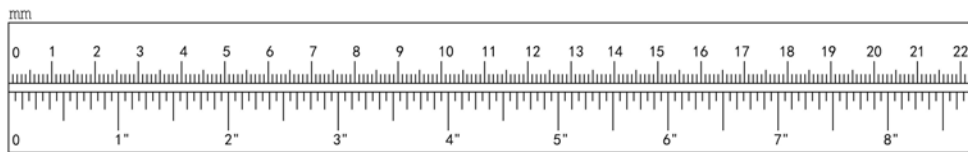
137 × 2

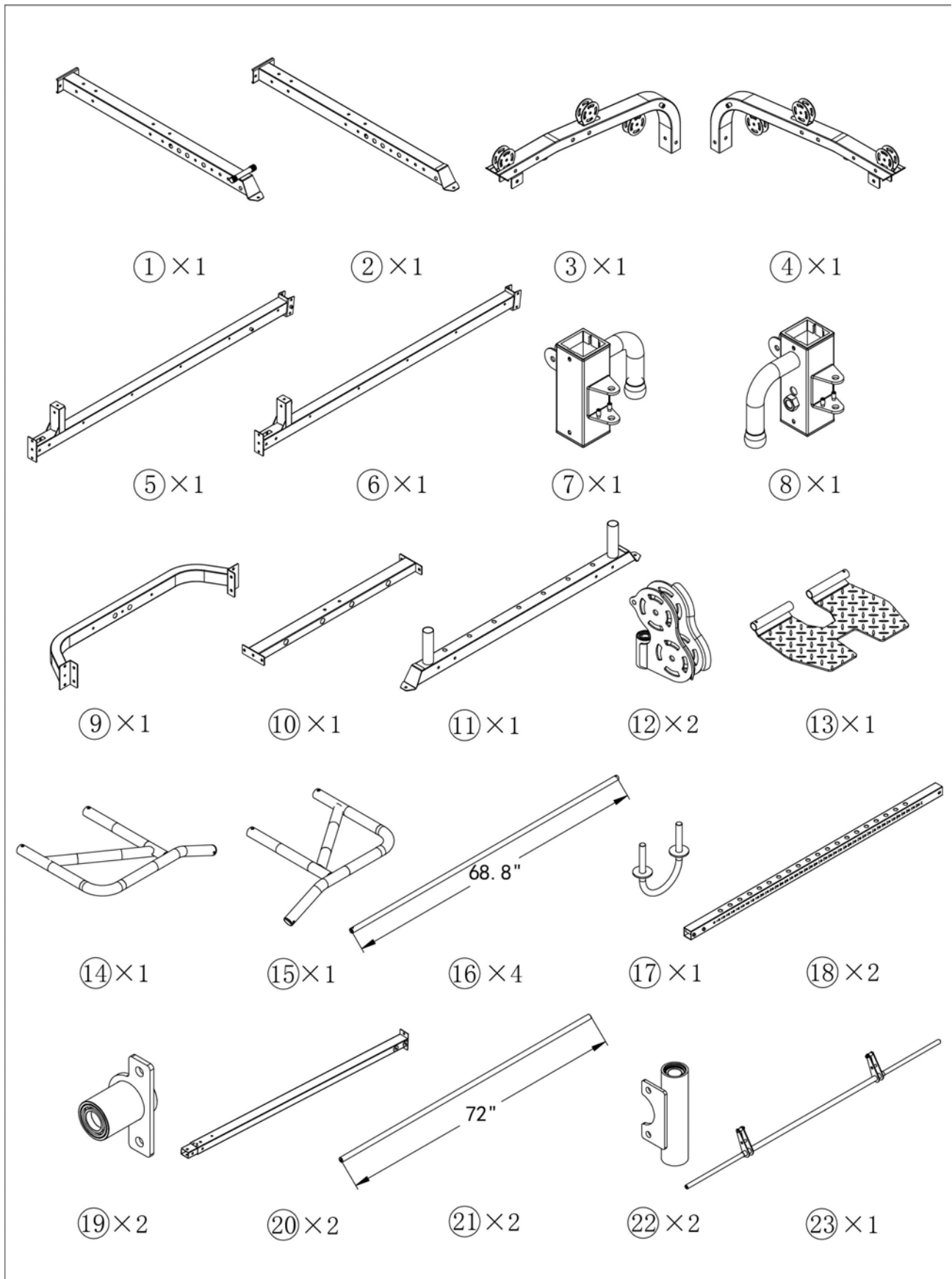


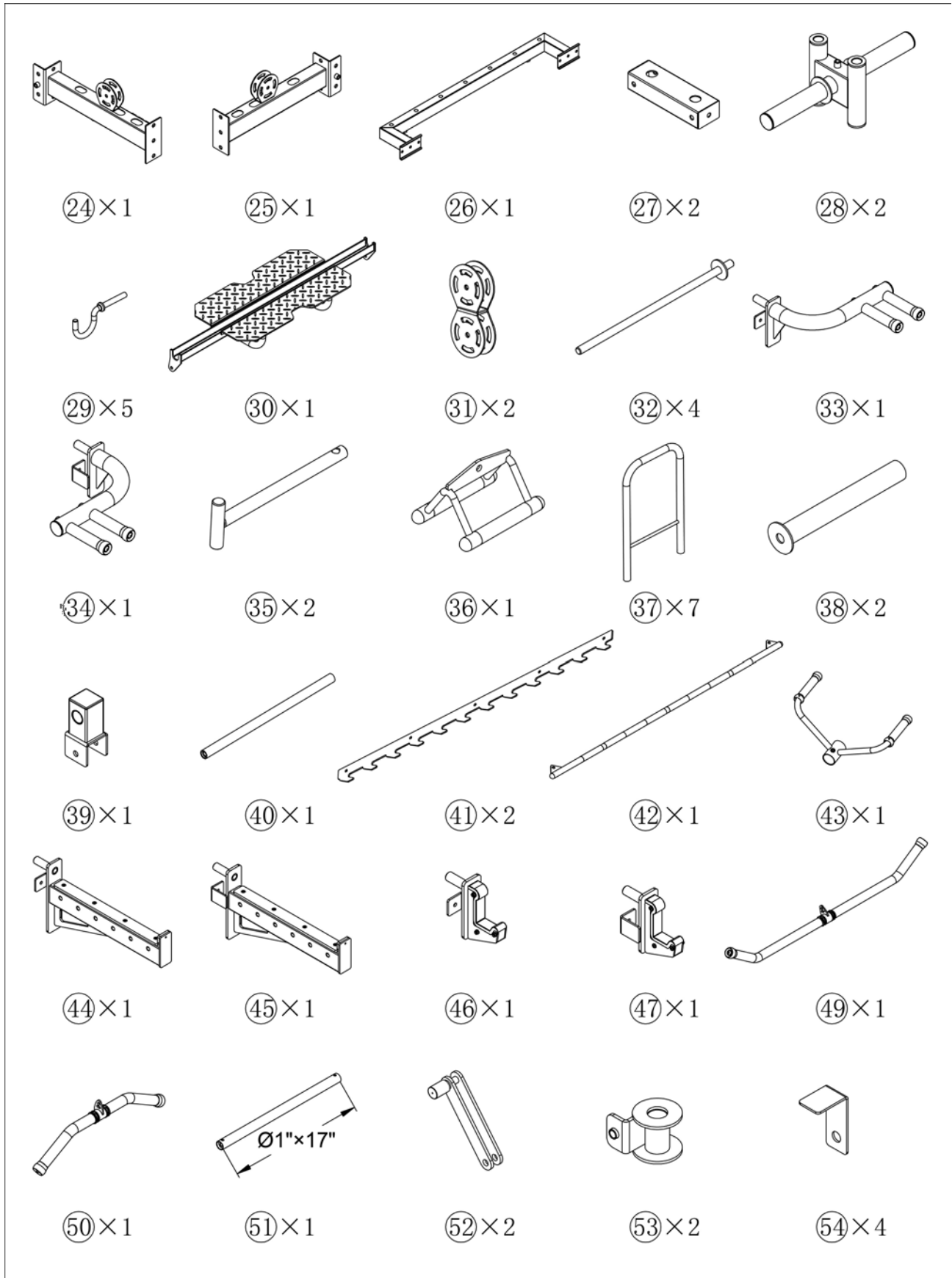
138 × 2

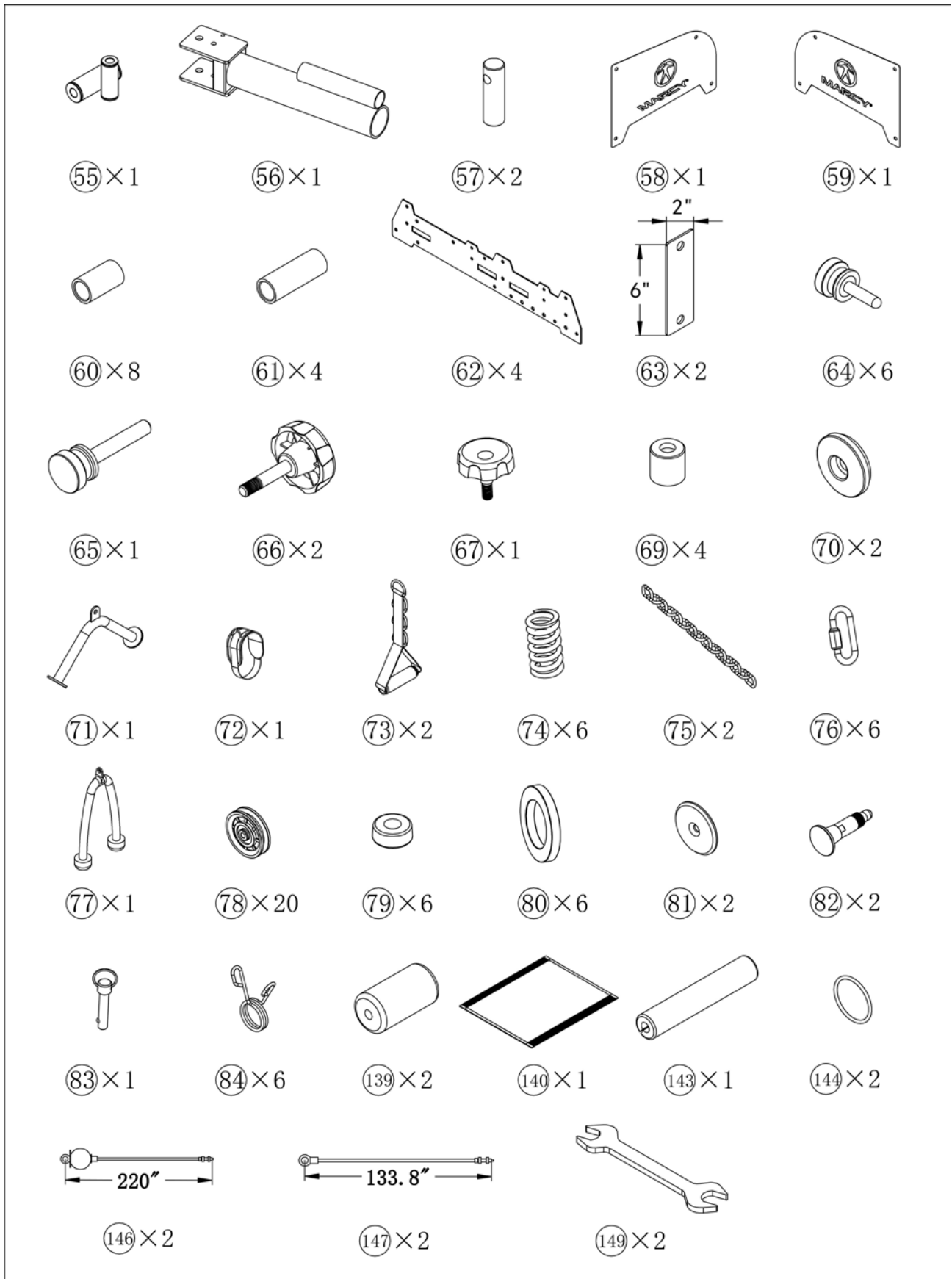


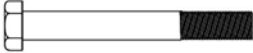


142 × 2

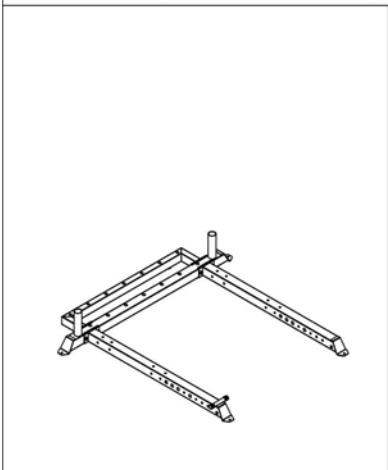
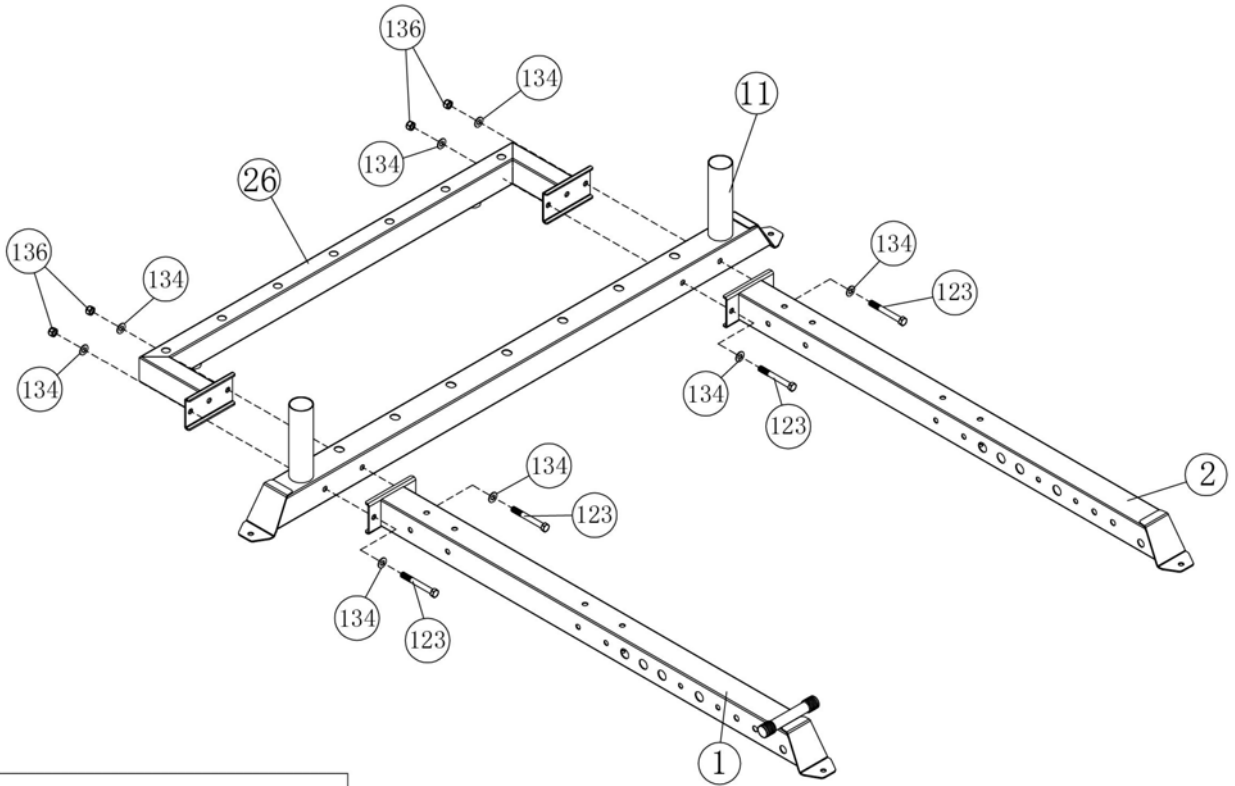
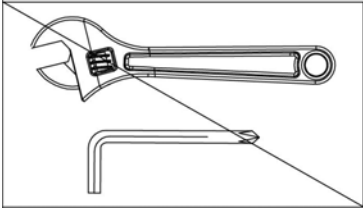




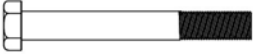




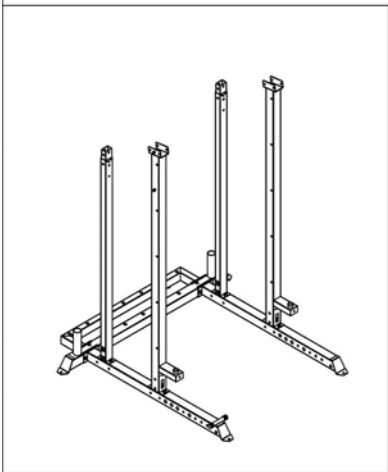
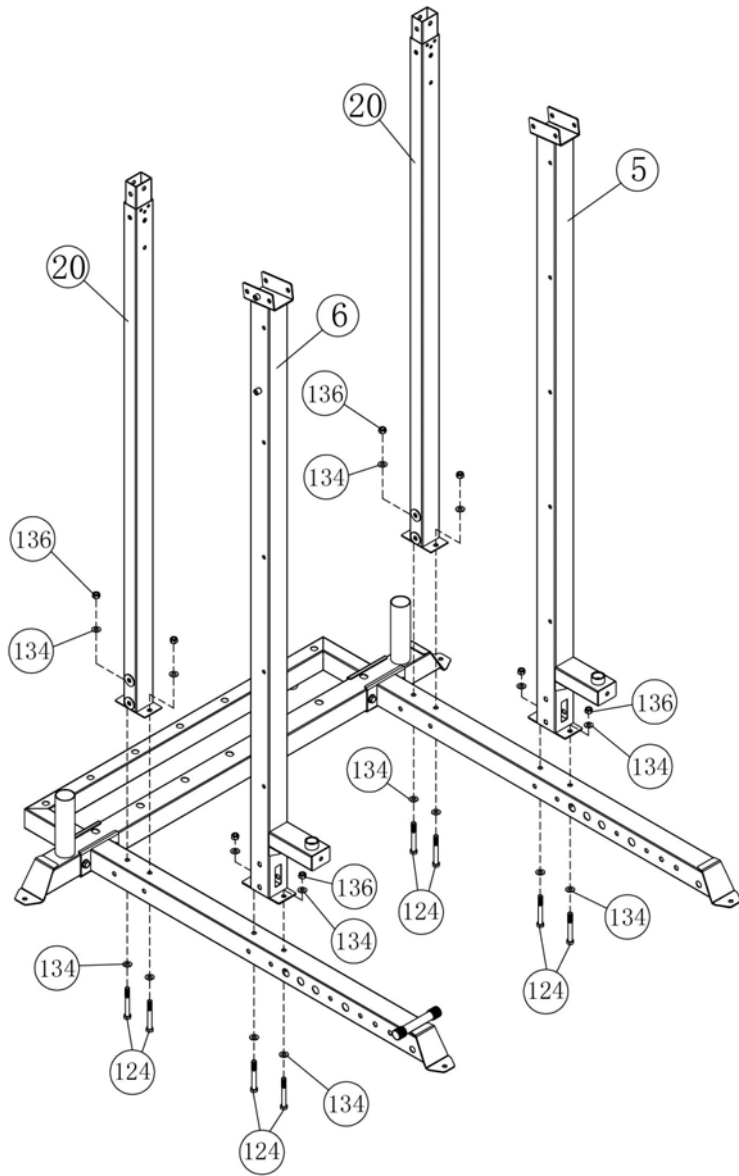
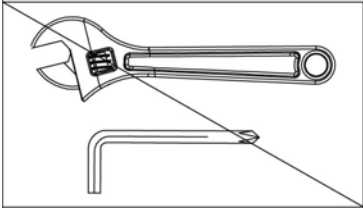


123		4	M12 × 4"
134		8	Ø 1"
136		4	M12

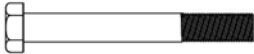




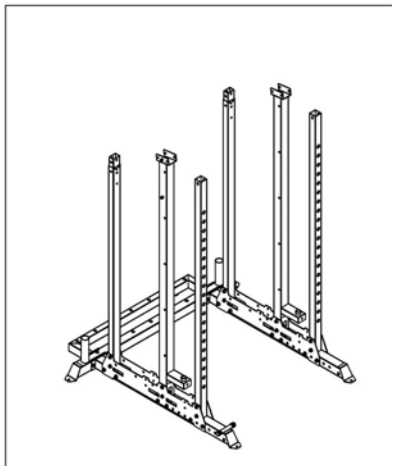
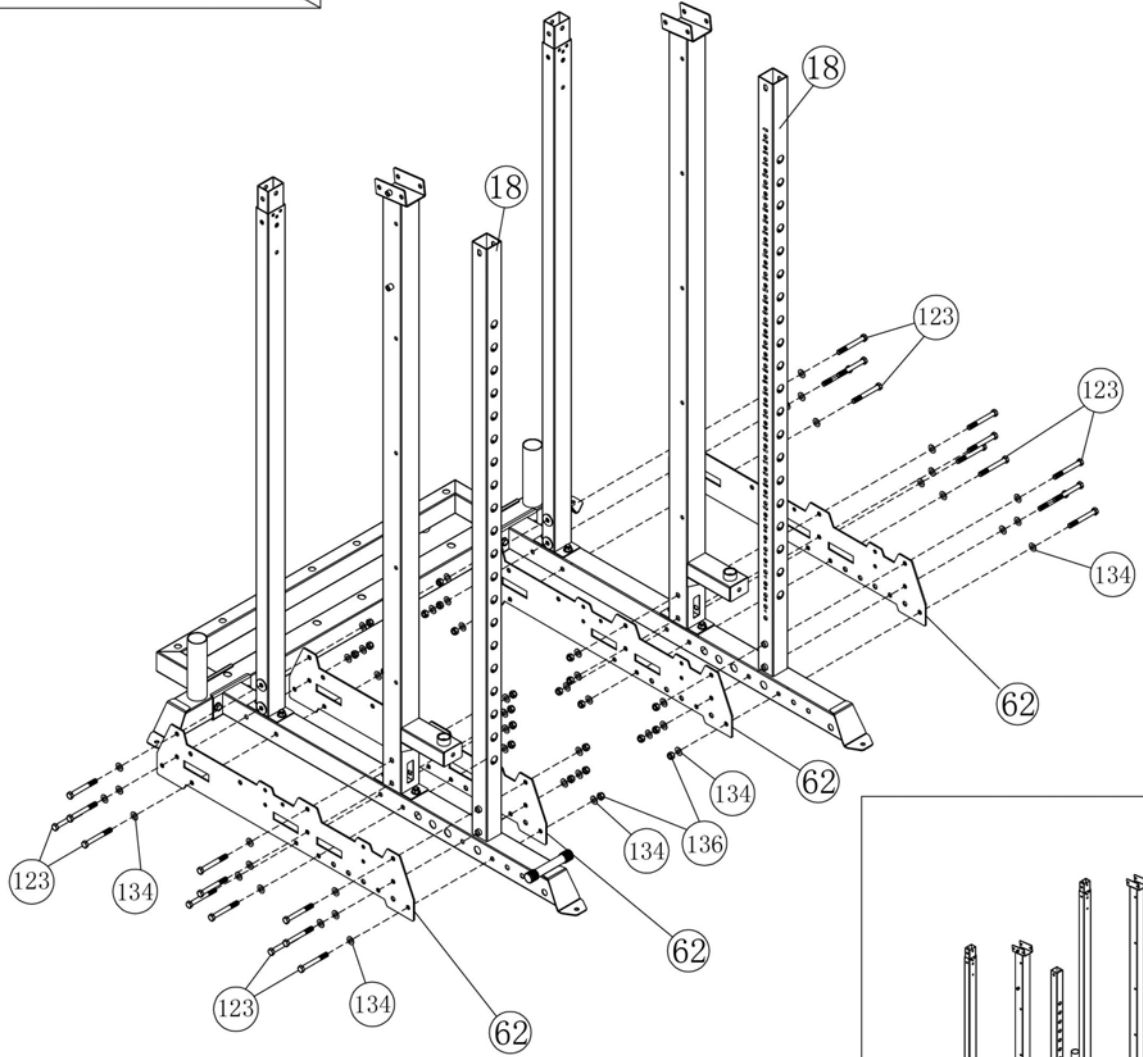
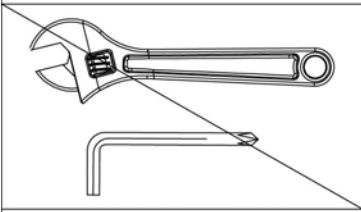
1

124		8	M12 × 3 3/4"
134		16	Ø 1"
136		8	M12

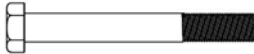
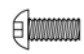






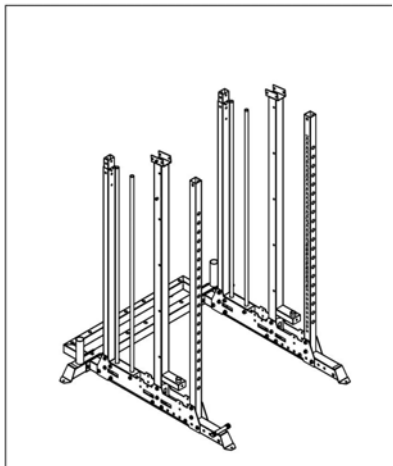
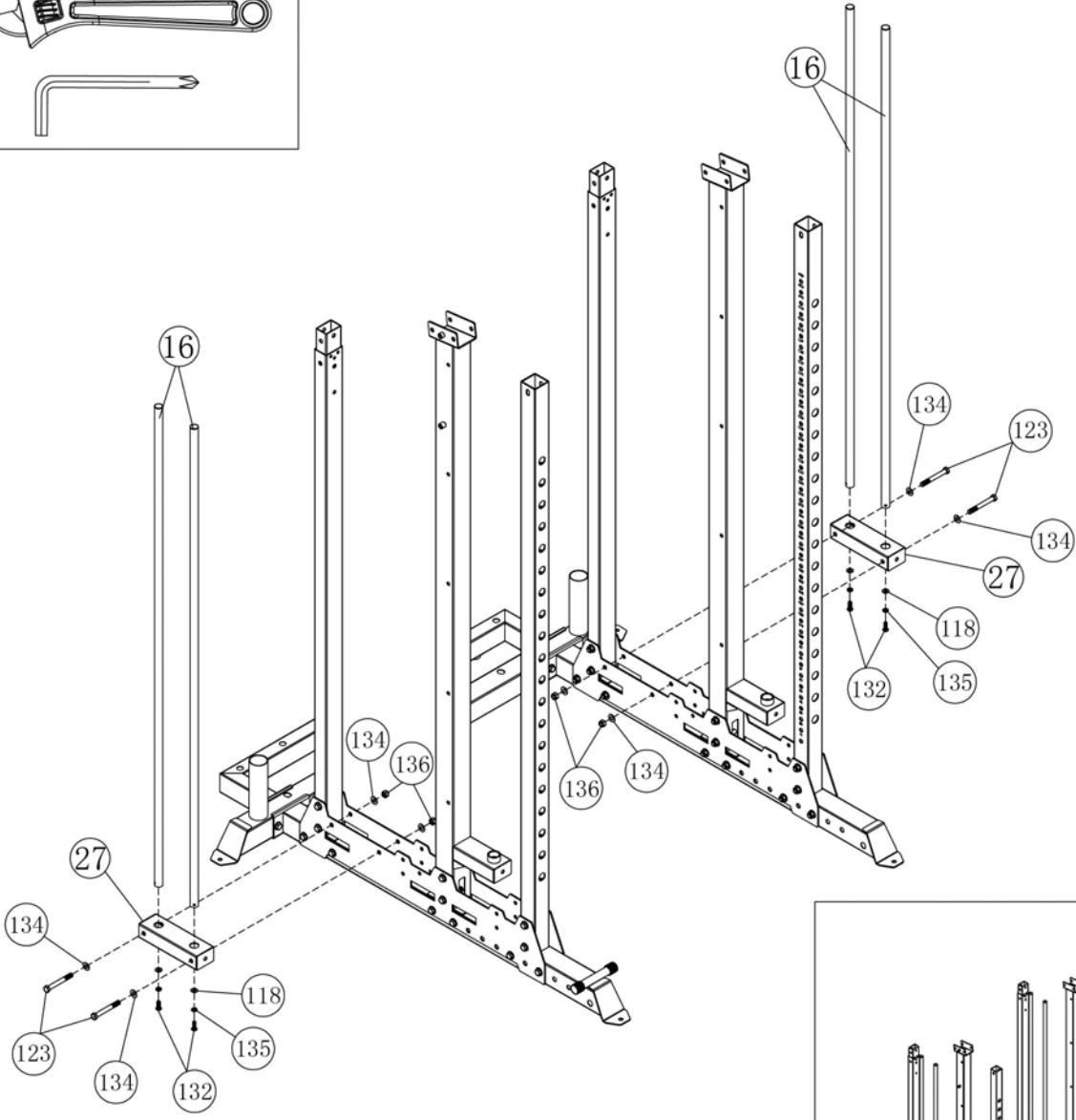
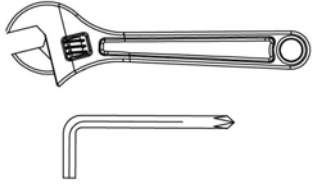
2

(123)		24	M12 × 4"
(134)		48	Ø 1"
(136)		24	M12






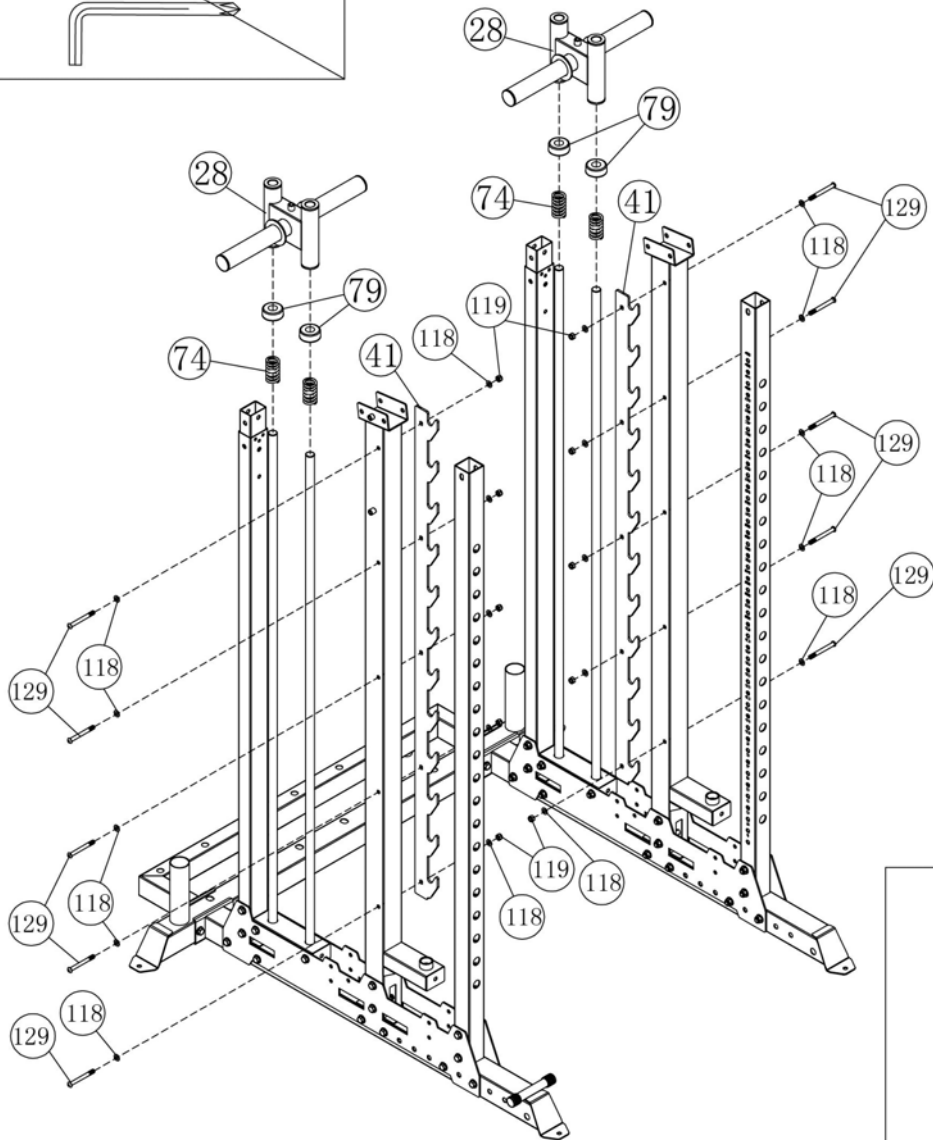
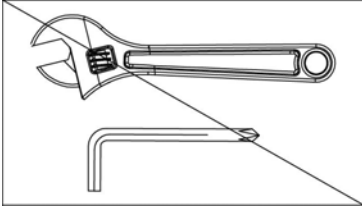
3

123		4	M12 × 4"	132		4	M10 × 1"
134		8	Ø 1"	118		4	Ø 3/4"
136		4	M12	135		4	Ø 3/4" Spring Washer

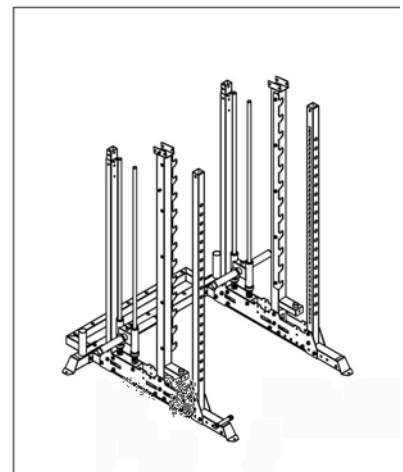







4

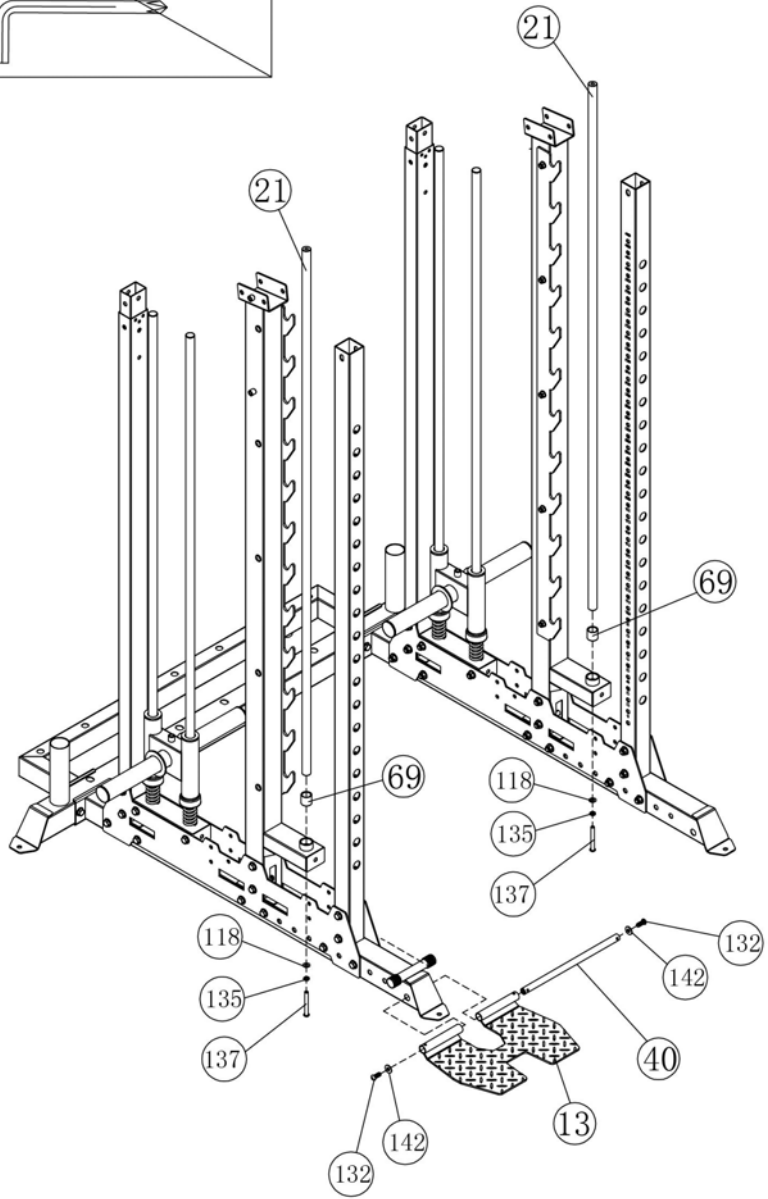
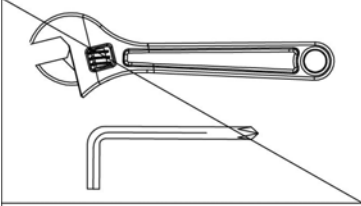
129		10	M10 × 3 $\frac{3}{4}$ "
118		20	Ø $\frac{3}{4}$ "
119		10	M10



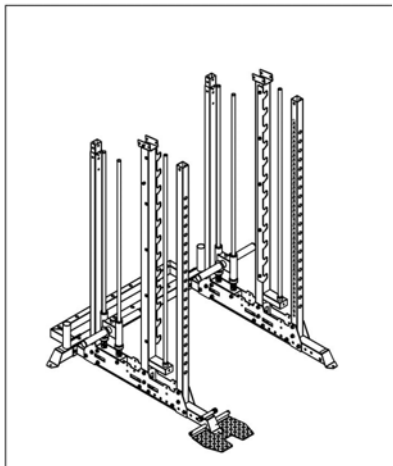
5





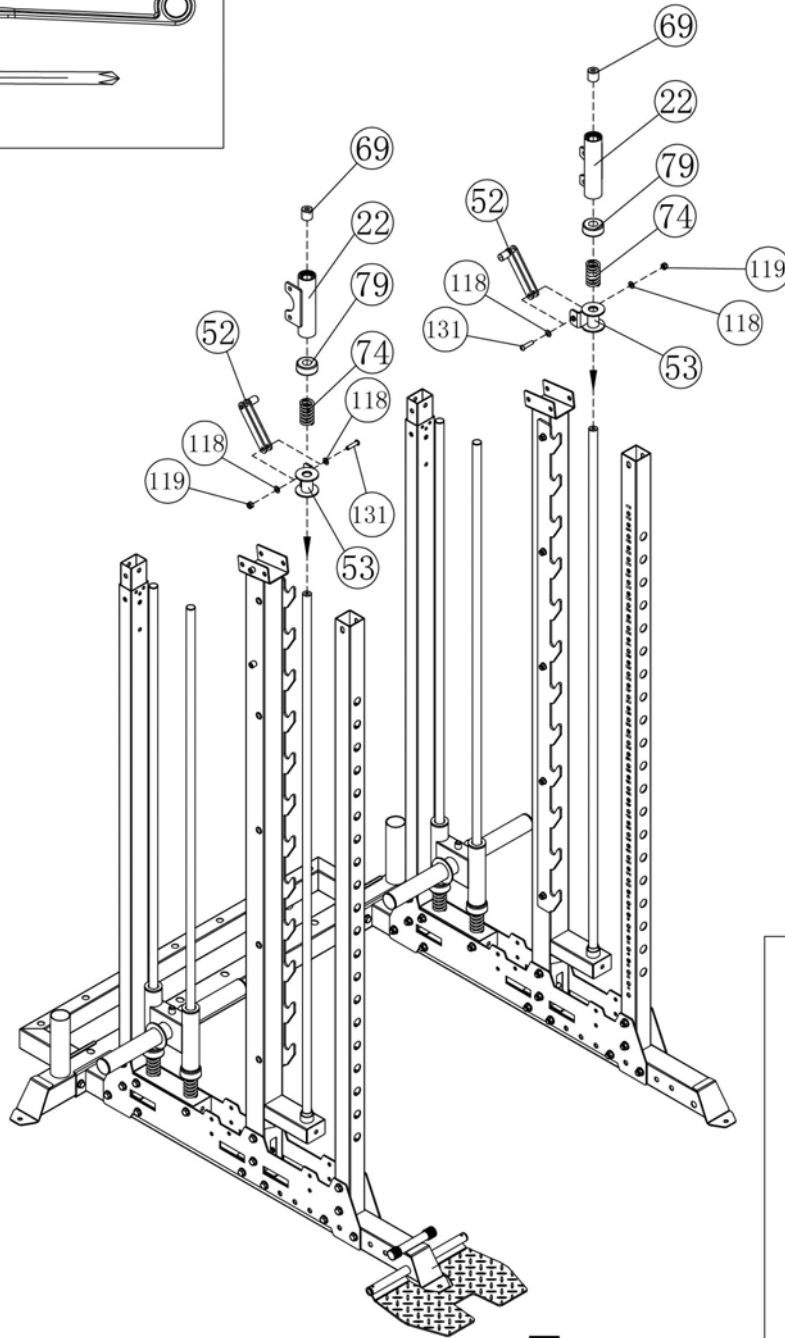
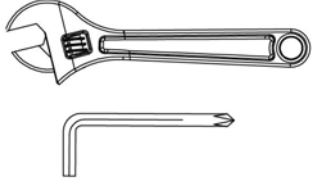
137		2	M10 × 3"	132		2	M10 × 1"
118		2	Ø 3/4"	142		2	Ø 3/4" × Ø 1"
135		2	Ø 3/4" Spring Washer				



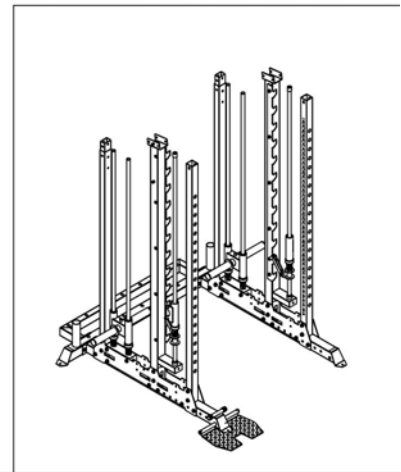
6



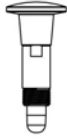
131		2	M10 × 1 1/2"
118		4	Ø 3/4"
119		2	M10



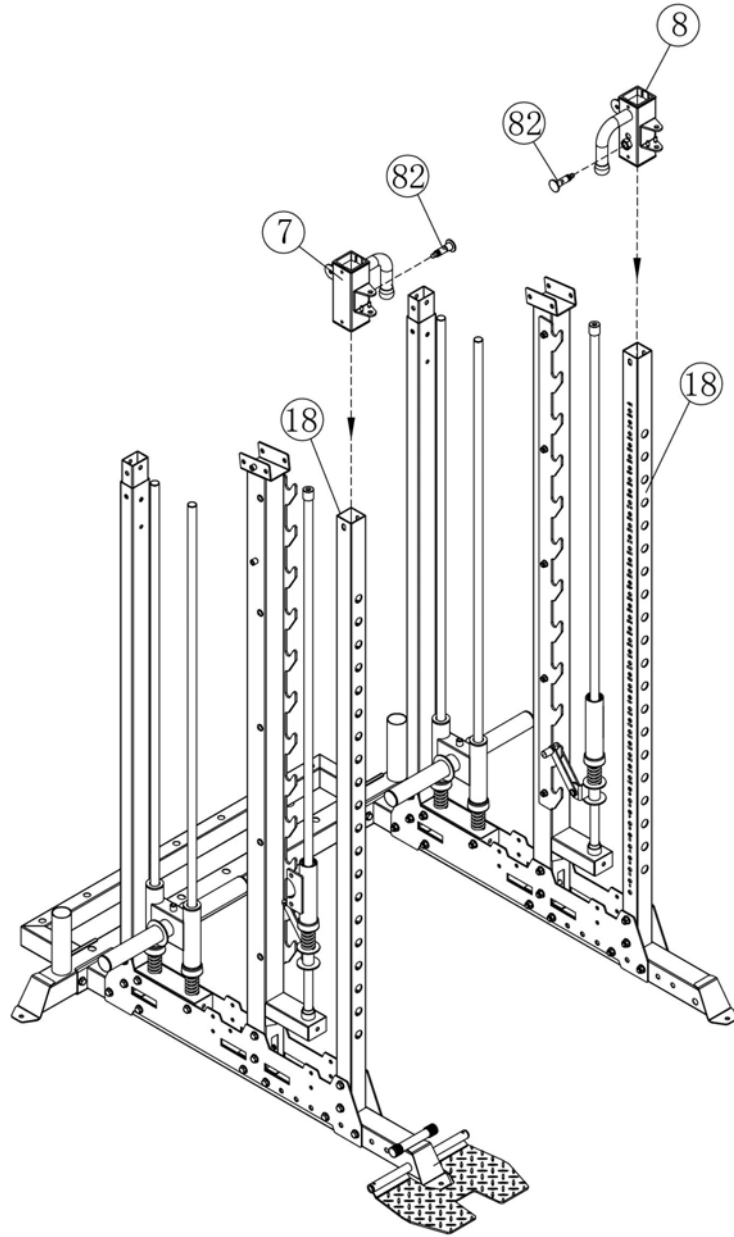
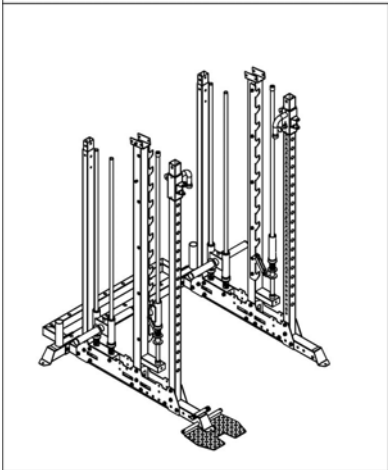
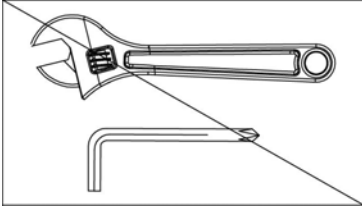
7



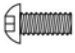


82

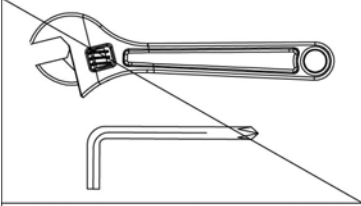


2

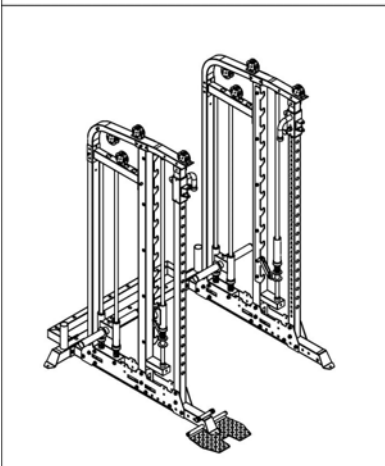
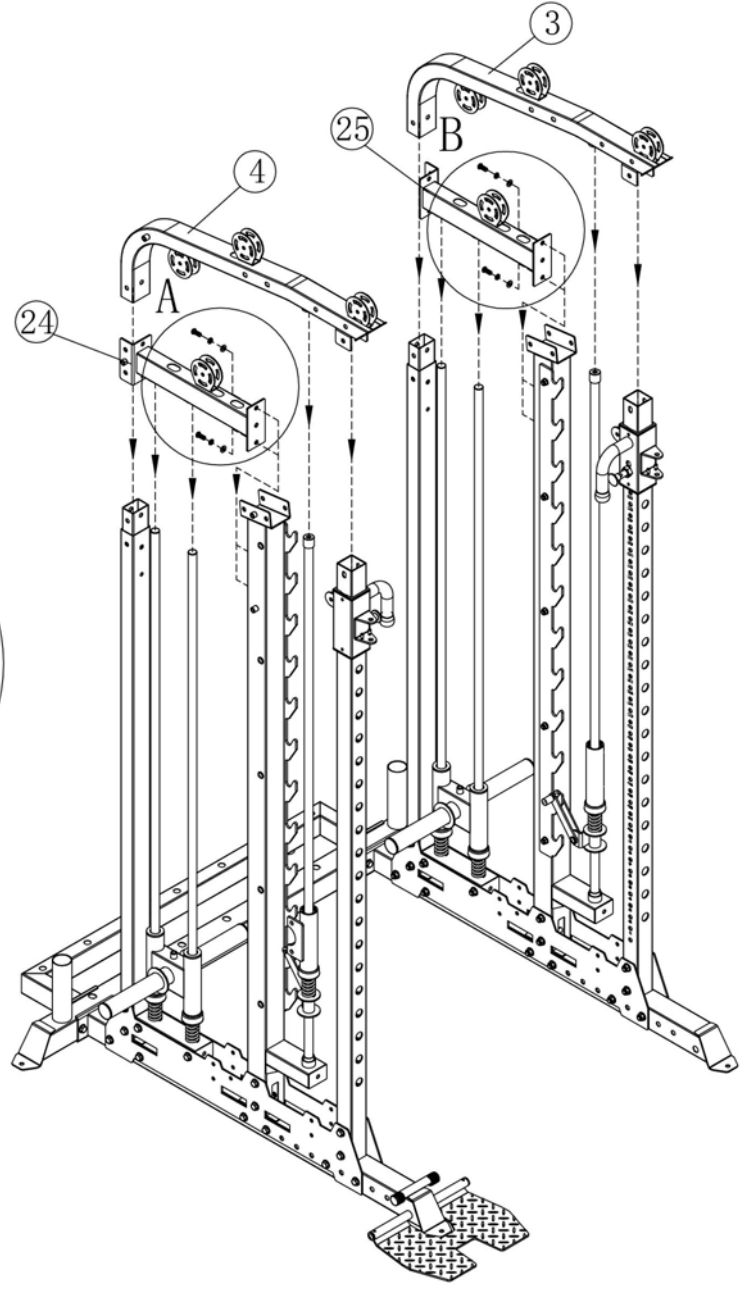
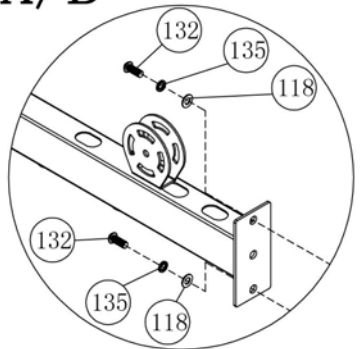


8






132		4	M10×1"
118		4	Ø 3/4"
135		4	Ø 3/4" Spring Washer

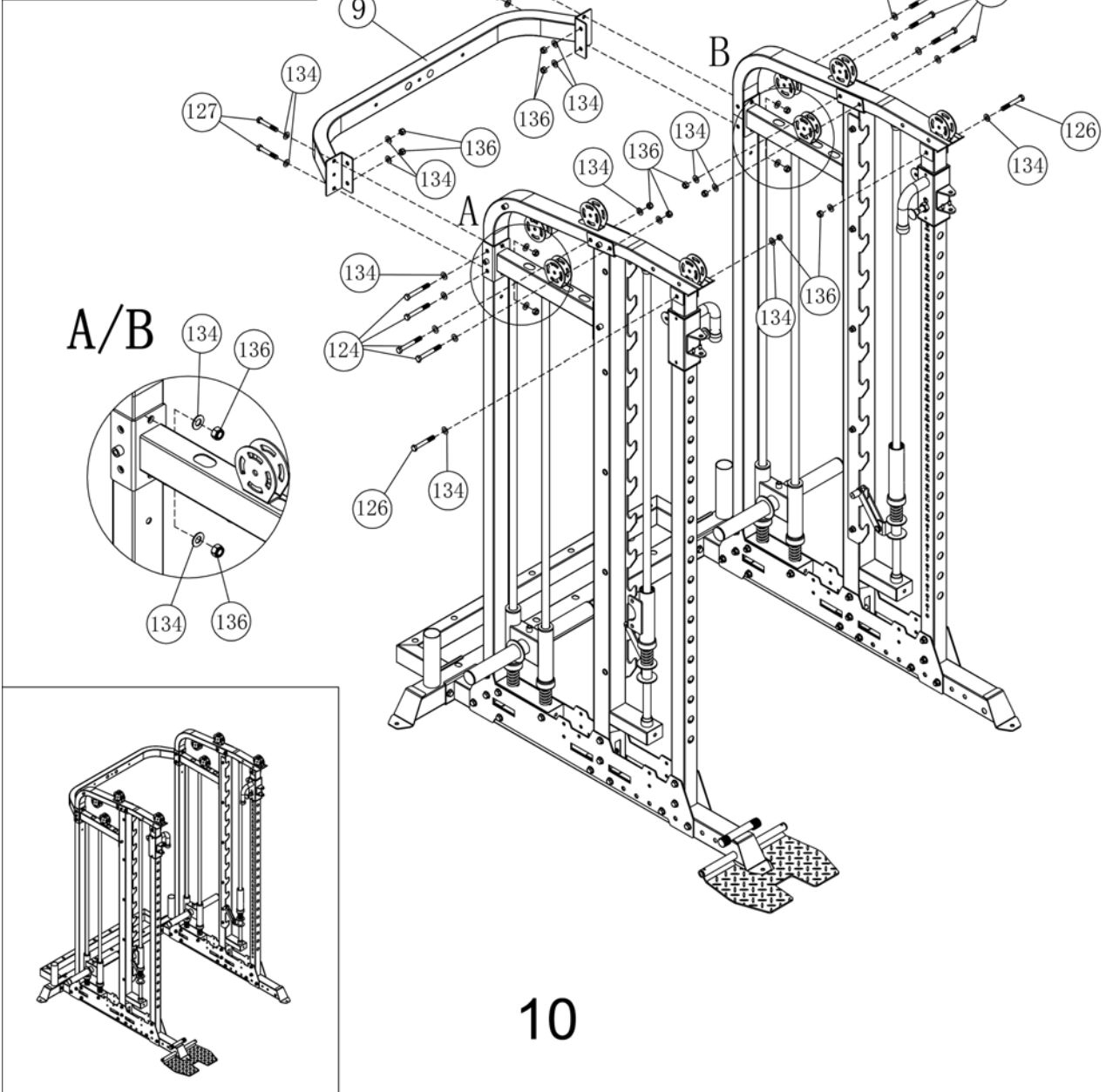
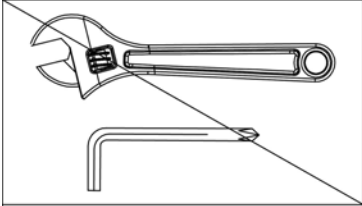


A/B



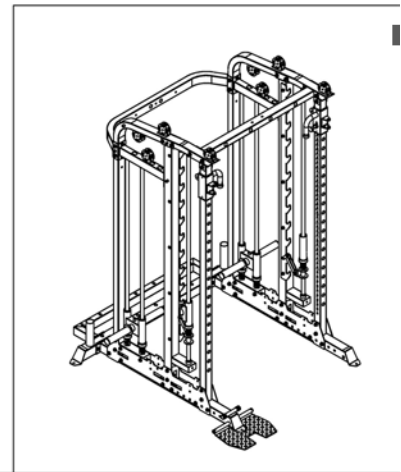
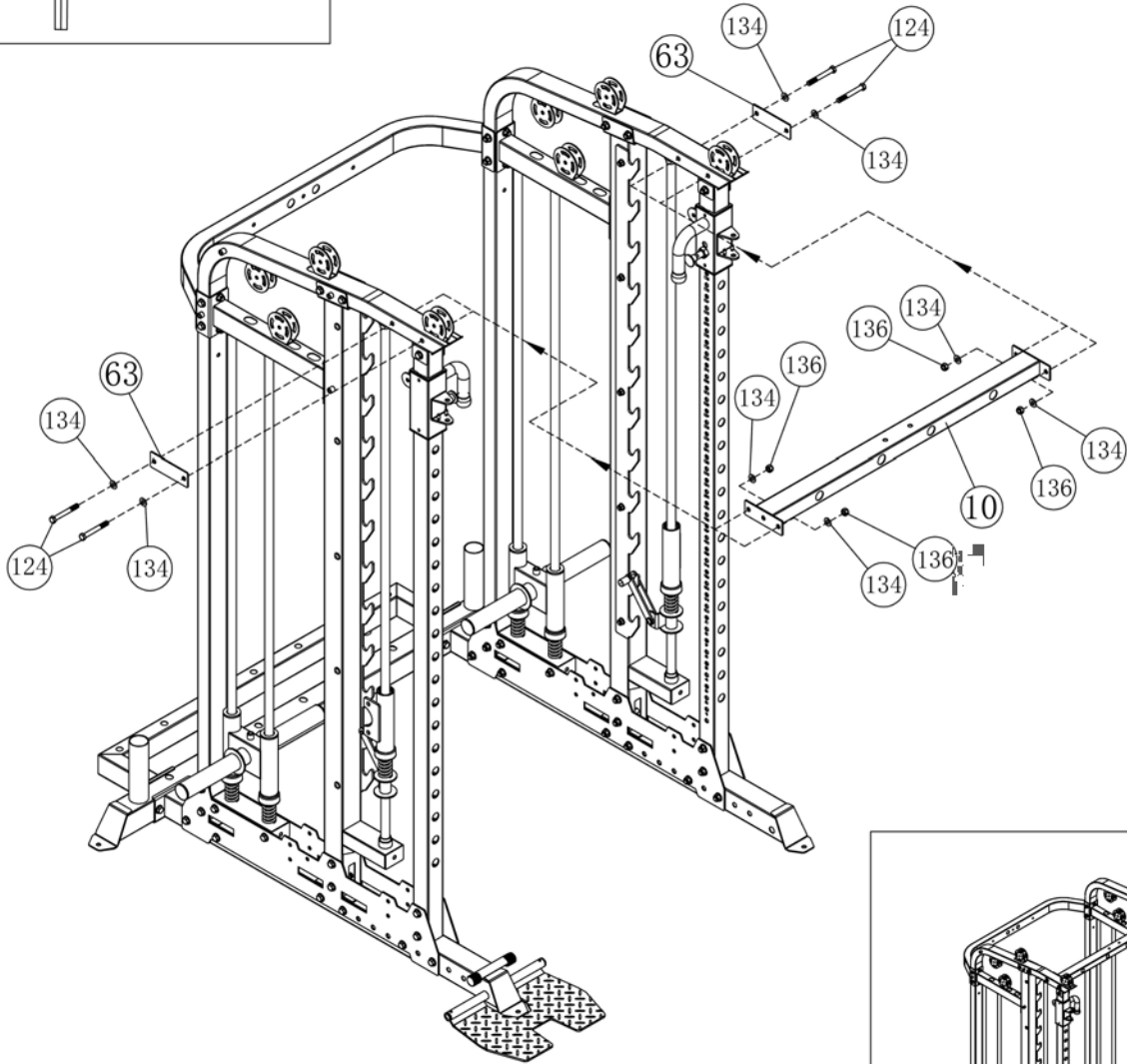
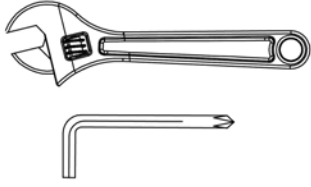
9

(124)		8	M12 × 3 $\frac{3}{4}$ "	(134)		28	Ø 1"
(126)		2	M12 × 3 $\frac{3}{8}$ "	(136)		14	M12
(127)		4	M12 × 3 "				

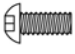






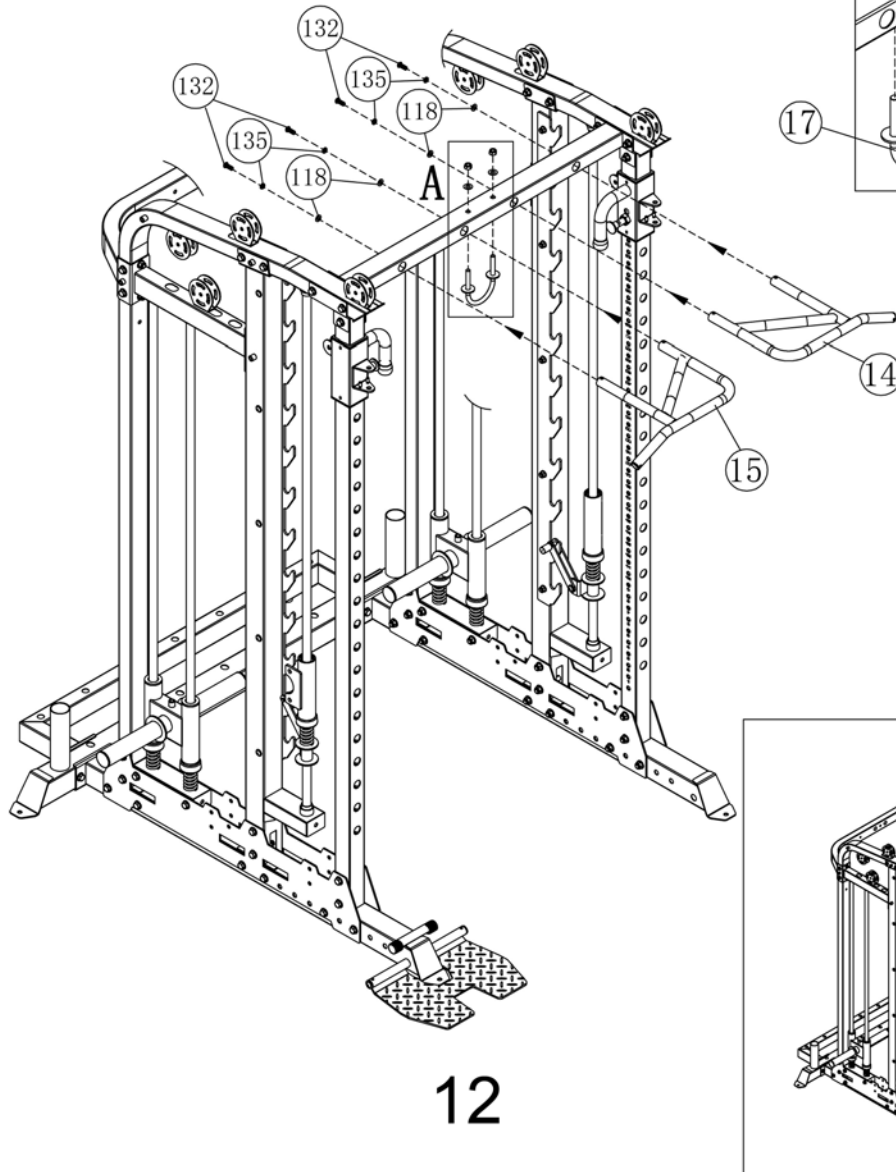
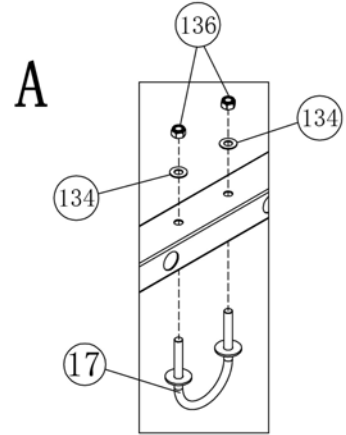
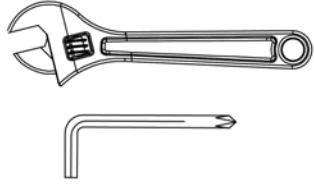
10

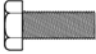
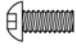




(124)		4	M12 × 3 $\frac{3}{4}$ "
(134)		8	Ø 1"
(136)		4	M12

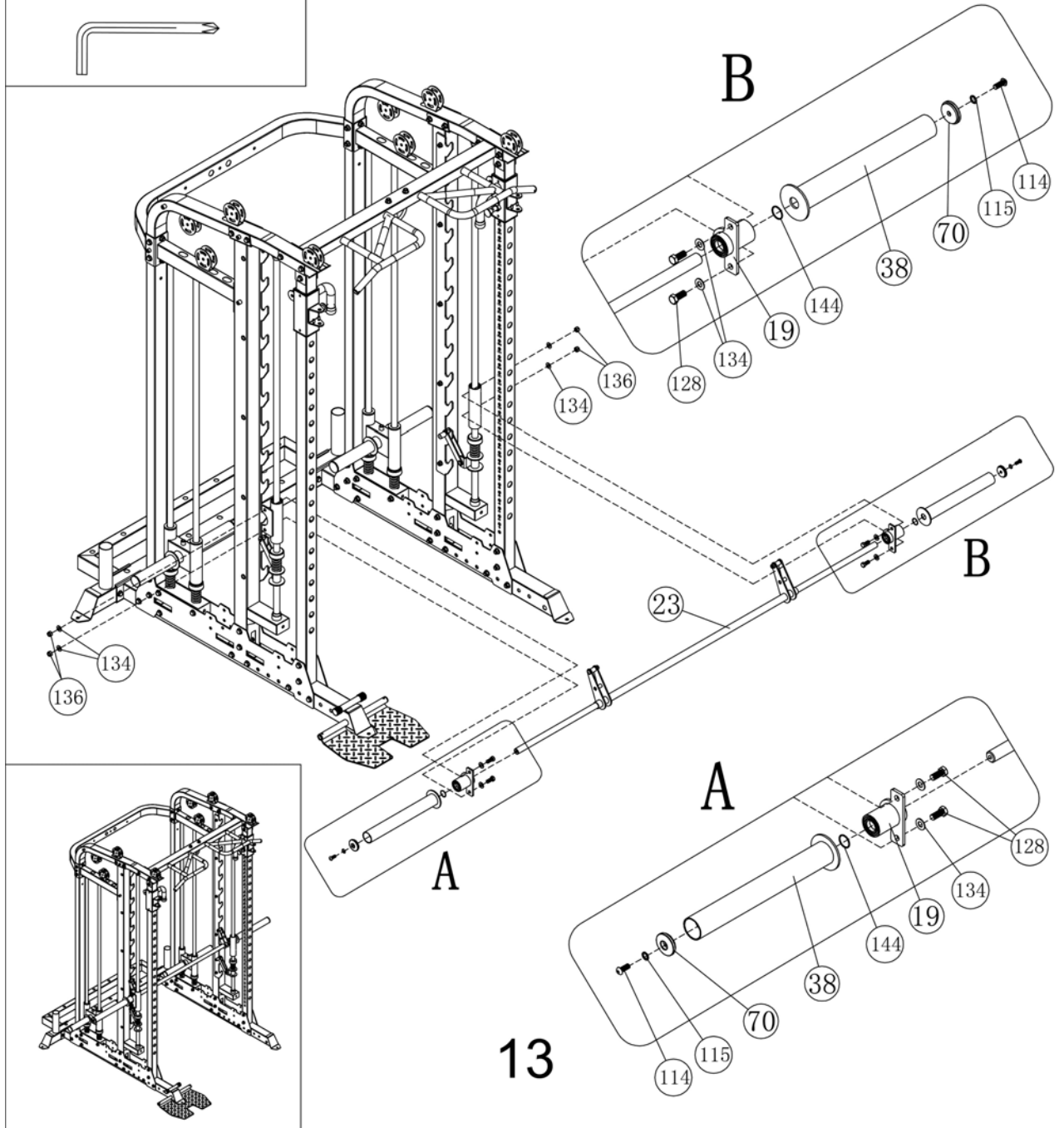
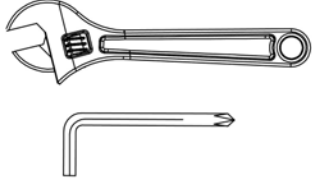



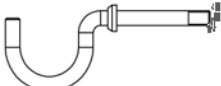

11

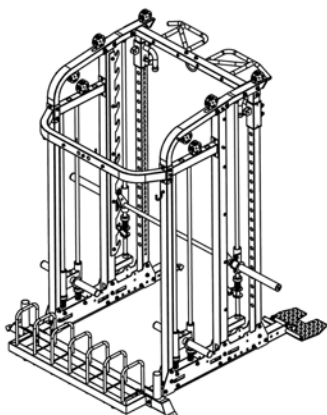
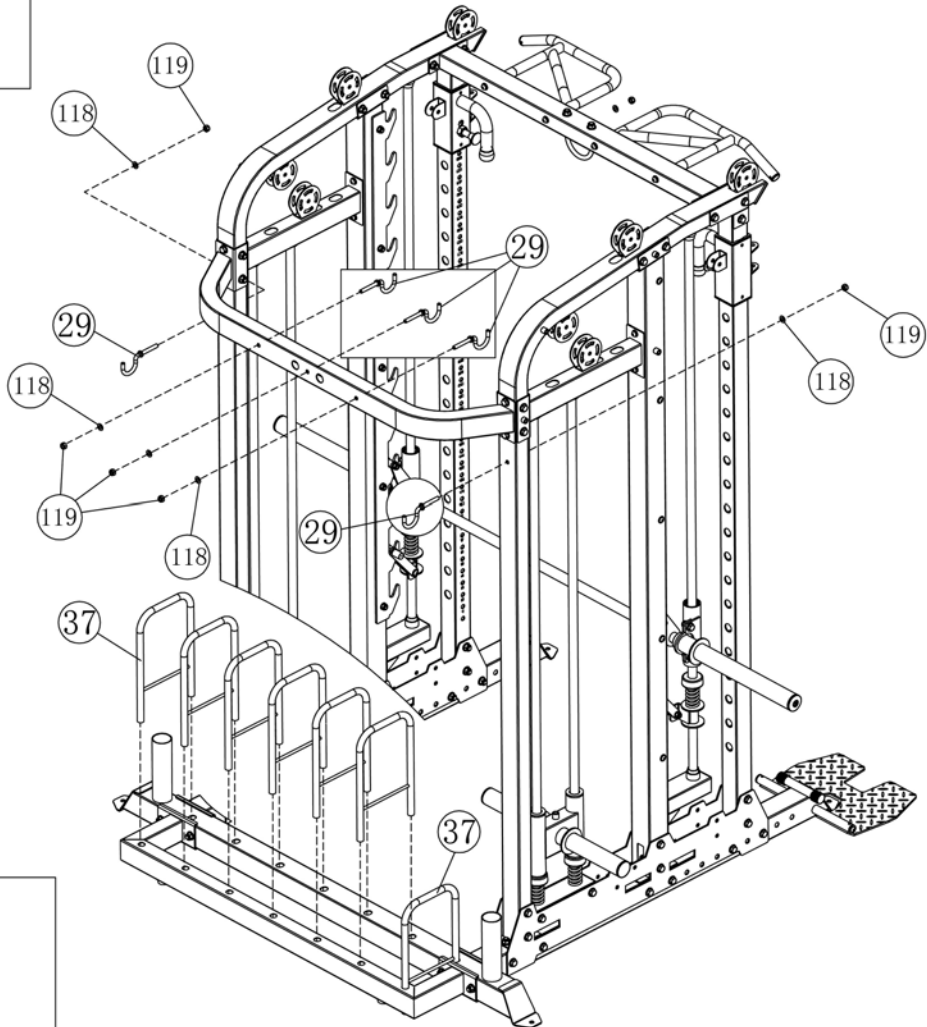
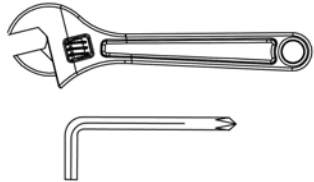
132		4	M10×1"	134		2	Ø 1"
118		4	Ø 3/4"	136		2	M12
135		4	Ø 3/4" Spring Washer				






128		4	M12 × 1 1/8"	114		2	M10 × 1"
134		8	Ø 1"	115		2	Ø 3/4"
136		4	M12	144		2	Ø 1 1/8"

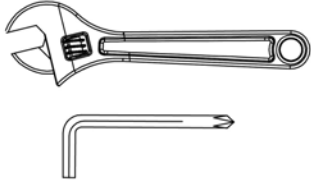


118		5	$\varnothing \frac{3}{4}$	29	
119		5	M10		

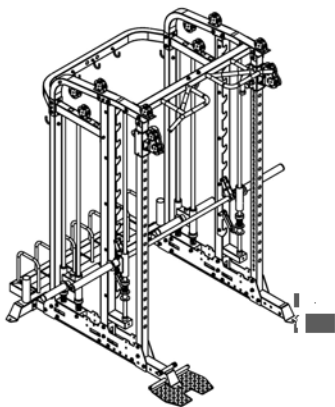
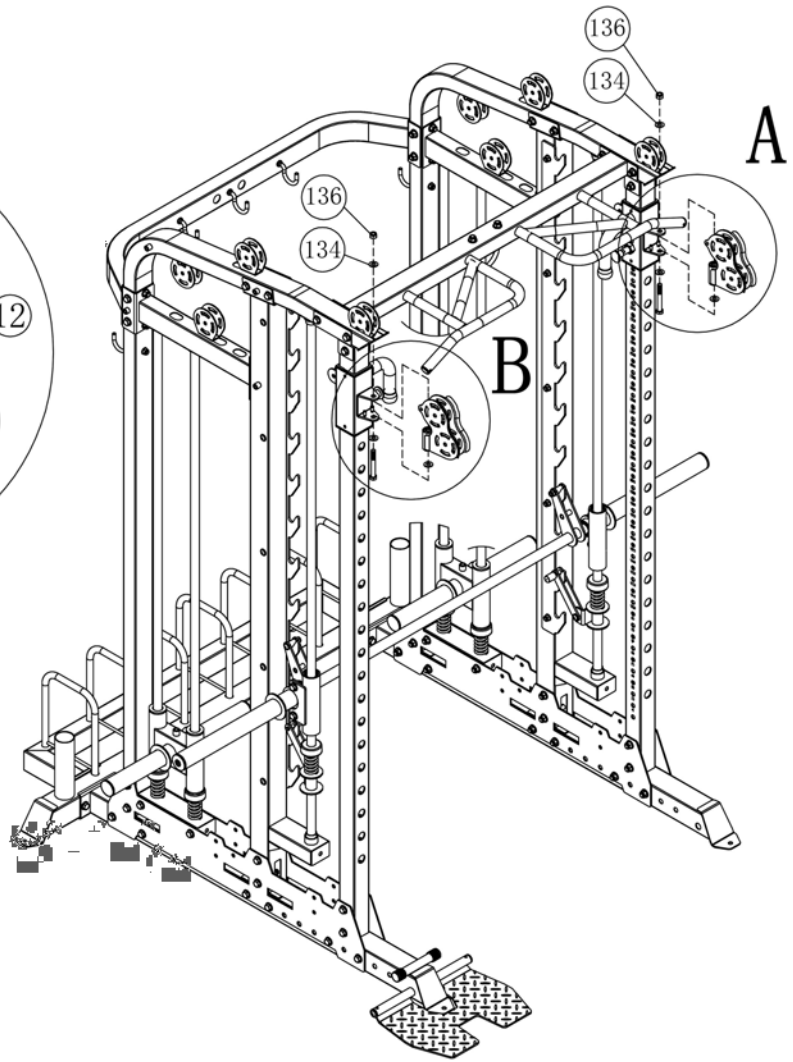
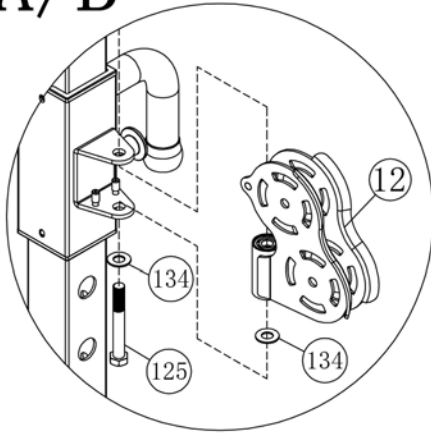


14

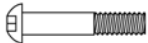
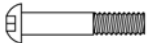

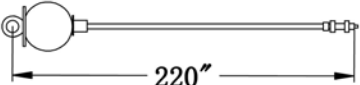

125		2	M12 × 3 1/2"
134		6	Ø 1"
136		2	M12

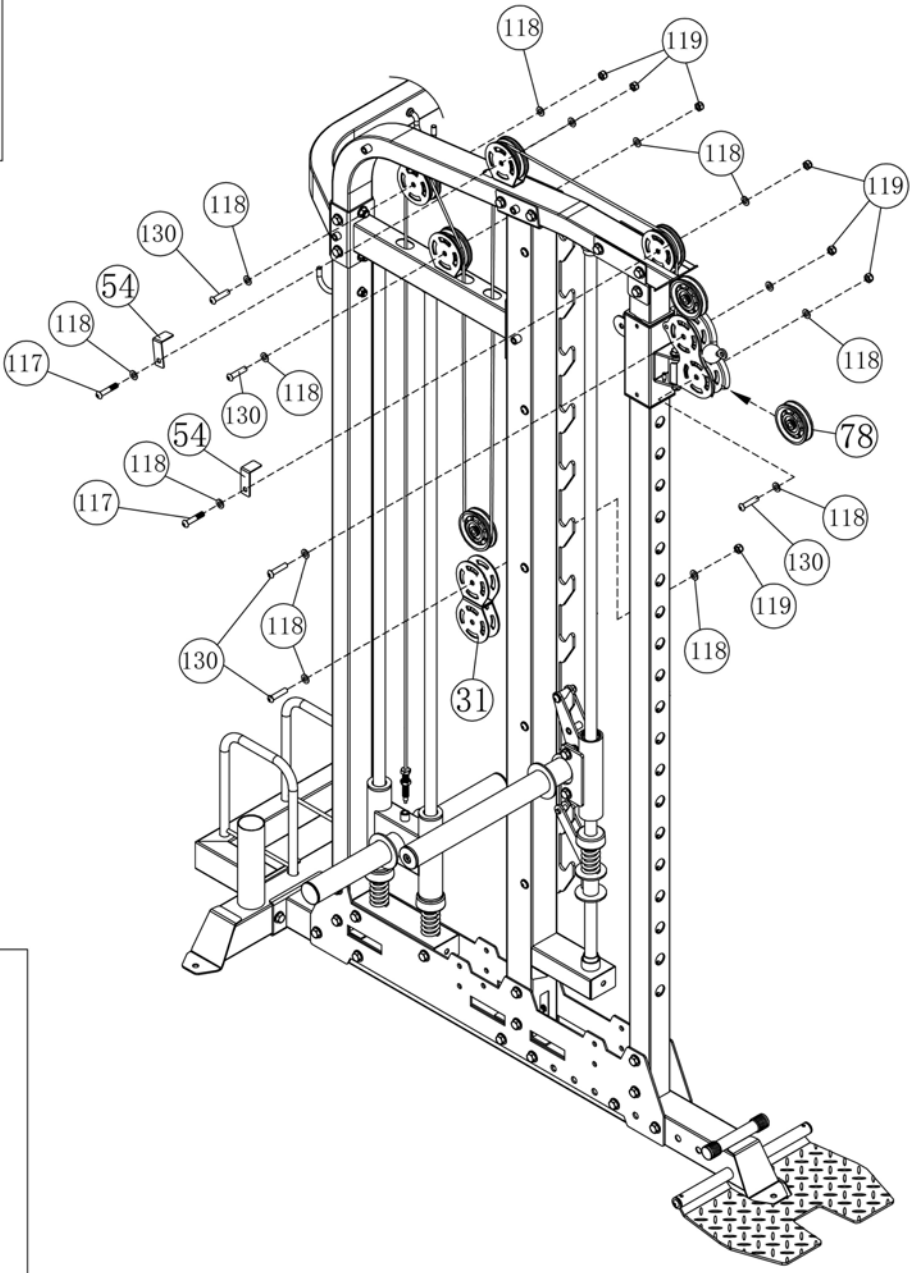
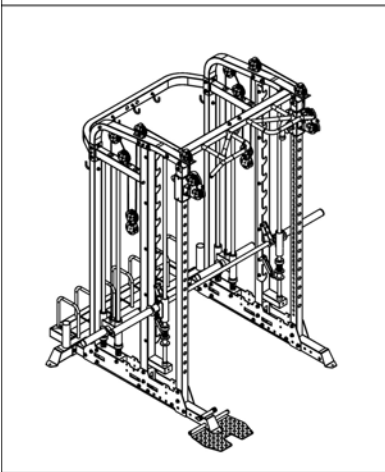
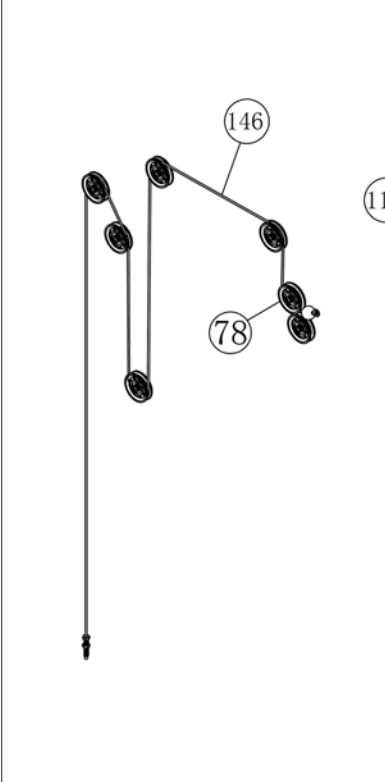
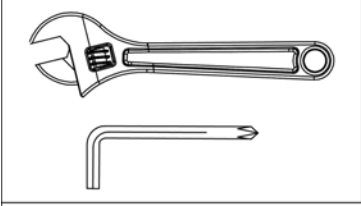


A/B

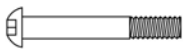


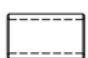



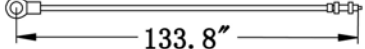


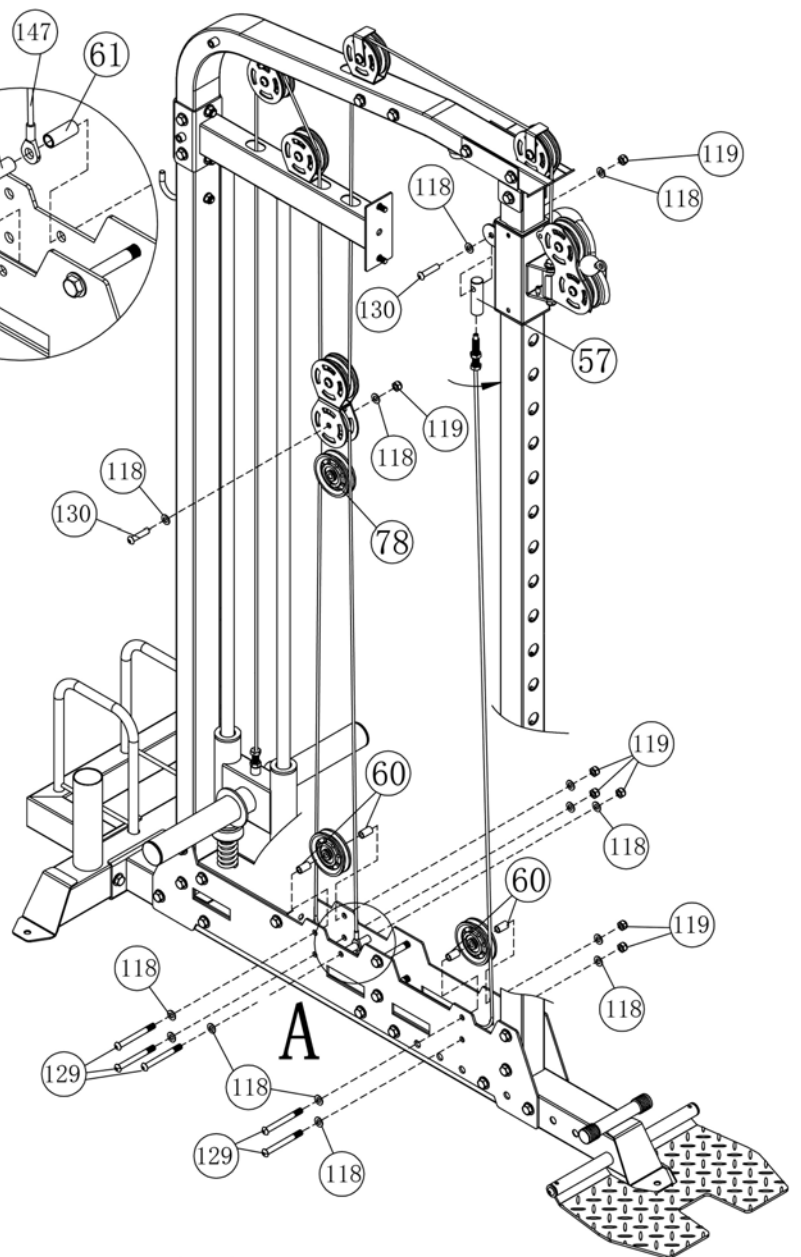
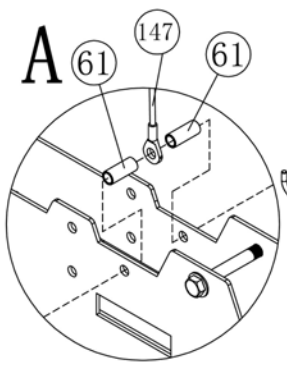
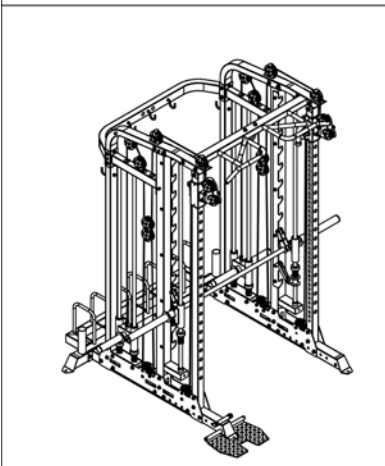
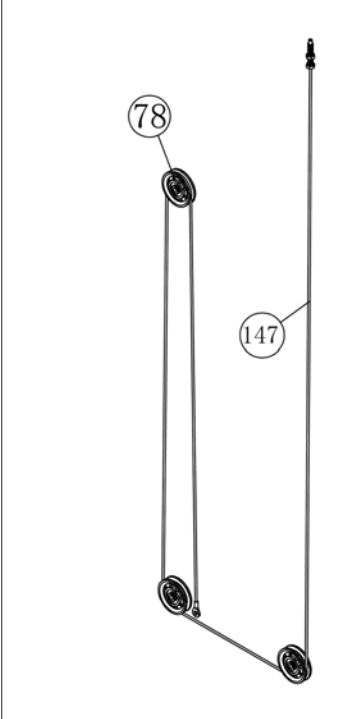
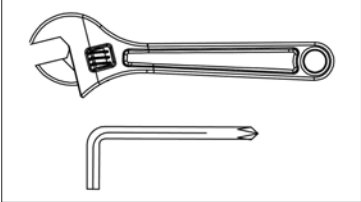
15

117		4	M10 × 2"	130		10	M10 × 1 3/4"
118		28	Ø 3/4"	146		2	
119		14	M10				



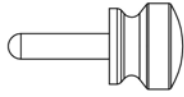
16

(129)		10	M10 × 3 3/4"	(57)		2	Ø 1" × 3" × M12
(130)		4	M10 × 1 3/4"	(60)		8	Ø 1/2" × Ø 3/8" × 1"
(118)		28	Ø 3/4"	(61)		4	Ø 1/2" × Ø 3/8" × 1 3/8"
(119)		14	M10	(147)		2	133.8"



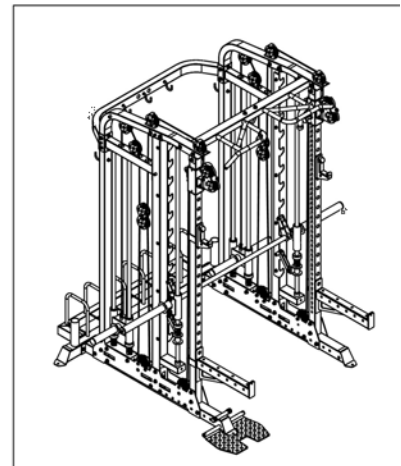
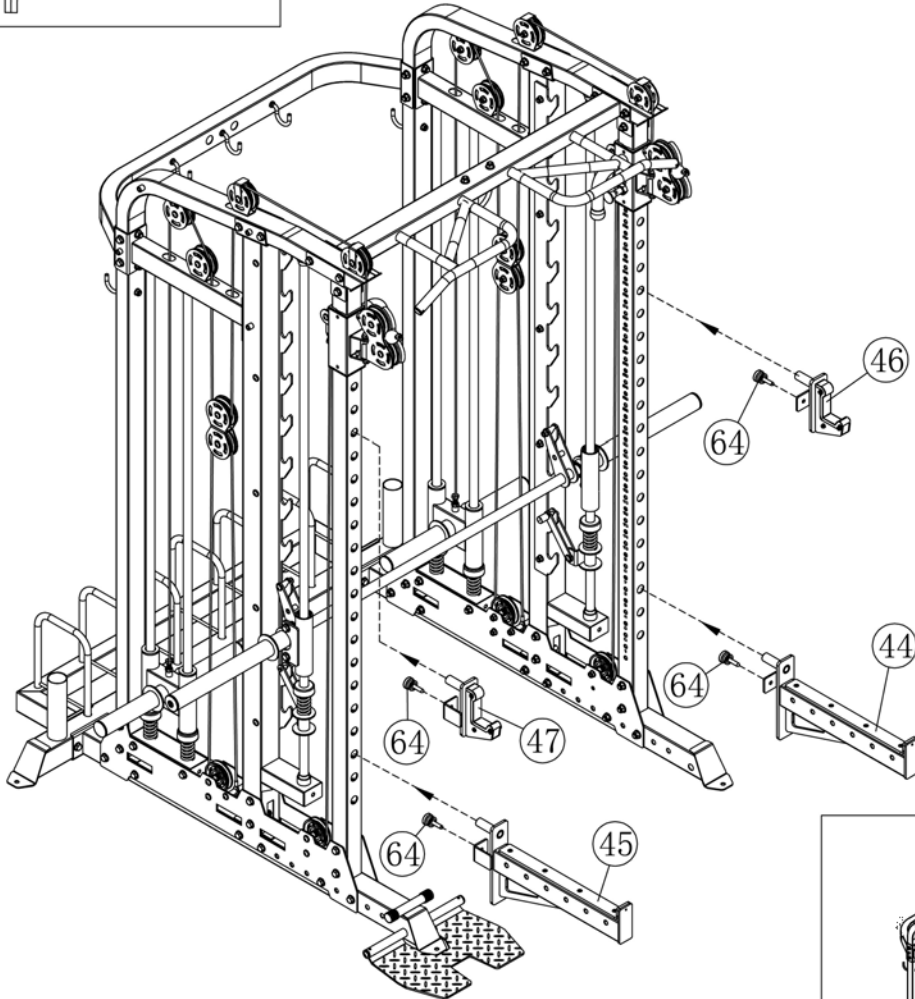
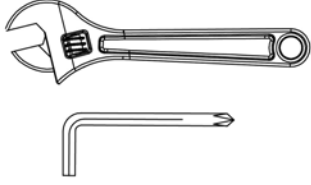
17

64



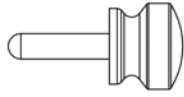
4

$\emptyset 1\frac{3}{8}'' \times \emptyset \frac{3}{8}'' \times 2\frac{3}{4}$



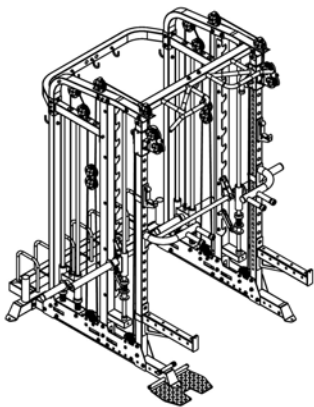
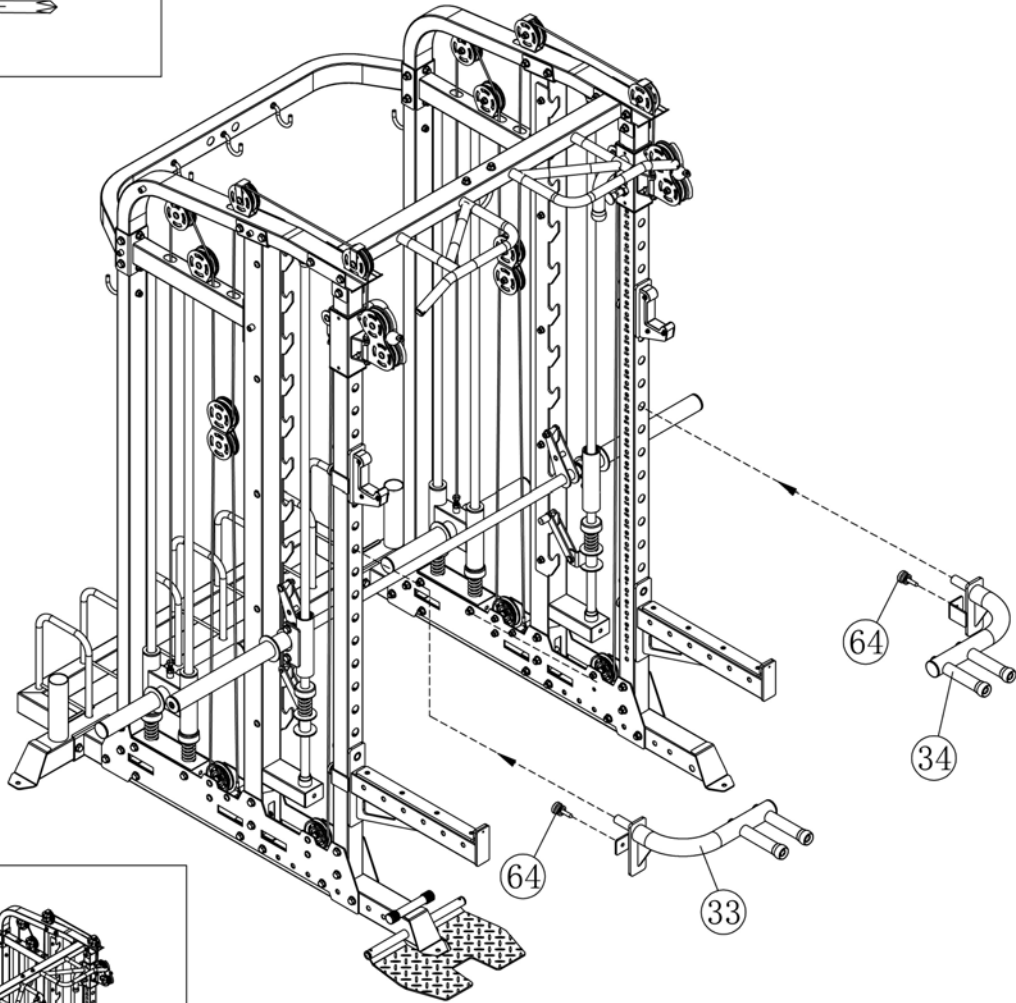
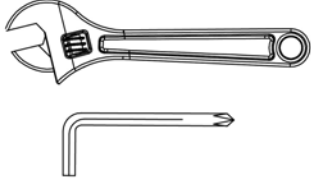
18

64







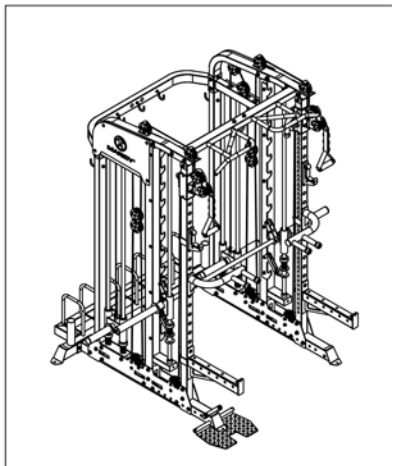
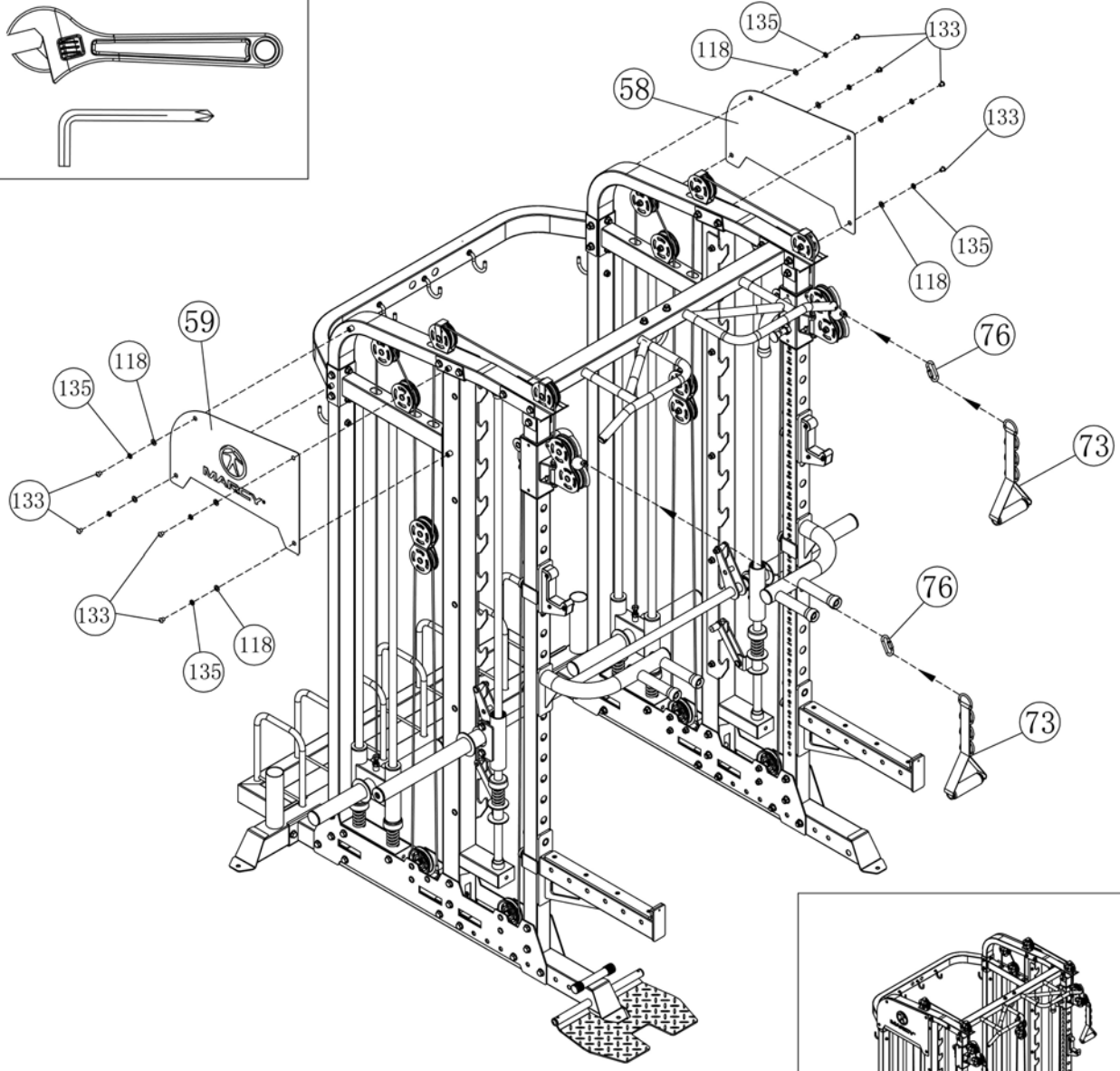
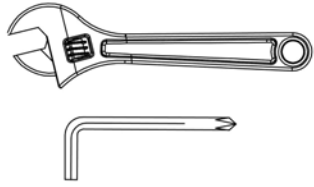
2

$\emptyset 1\frac{3}{8}'' \times \emptyset \frac{3}{8}'' \times 2\frac{3}{4}''$

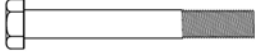





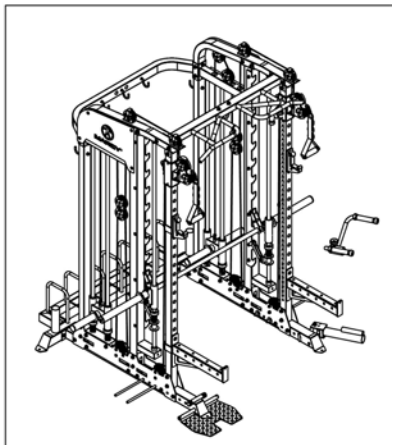
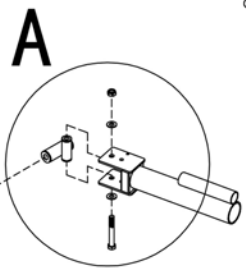
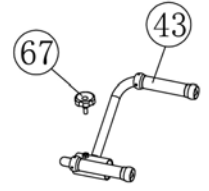
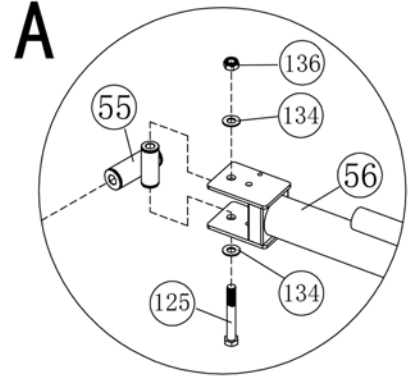
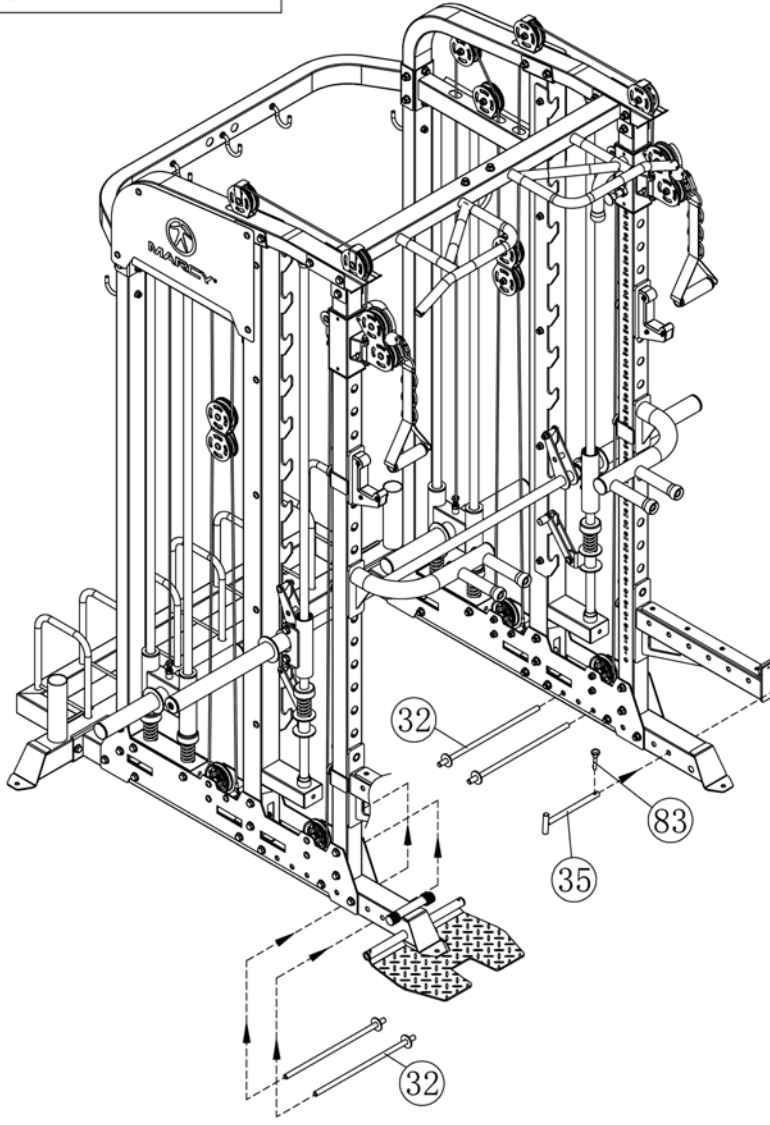
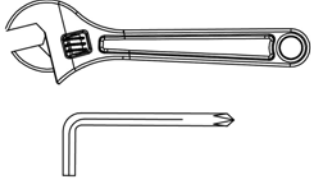
19

(133)		8	M10 × 1/2"	(76)		2
(118)		8	Ø 3/4"	Locking Carabiner Clip		
(135)		8	Ø 3/4" Spring Washer			



20

125		1	M12 × 3 1/2"	83		1
134		2	Ø 1"			
136		1	M12			

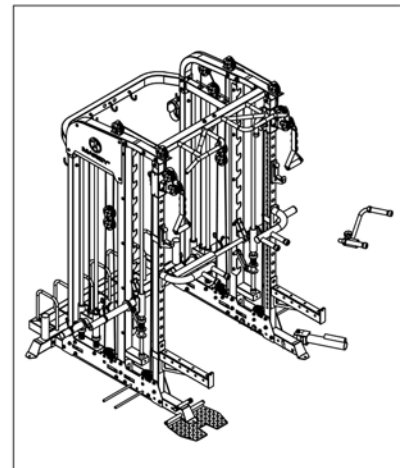
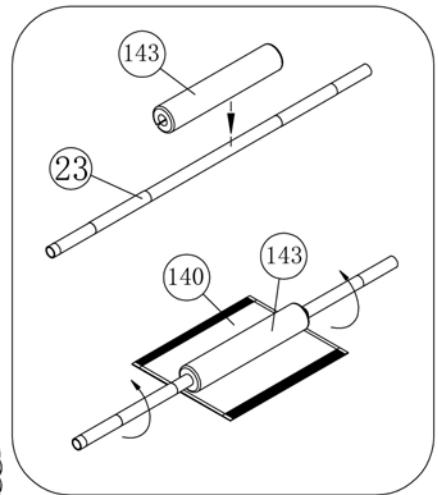
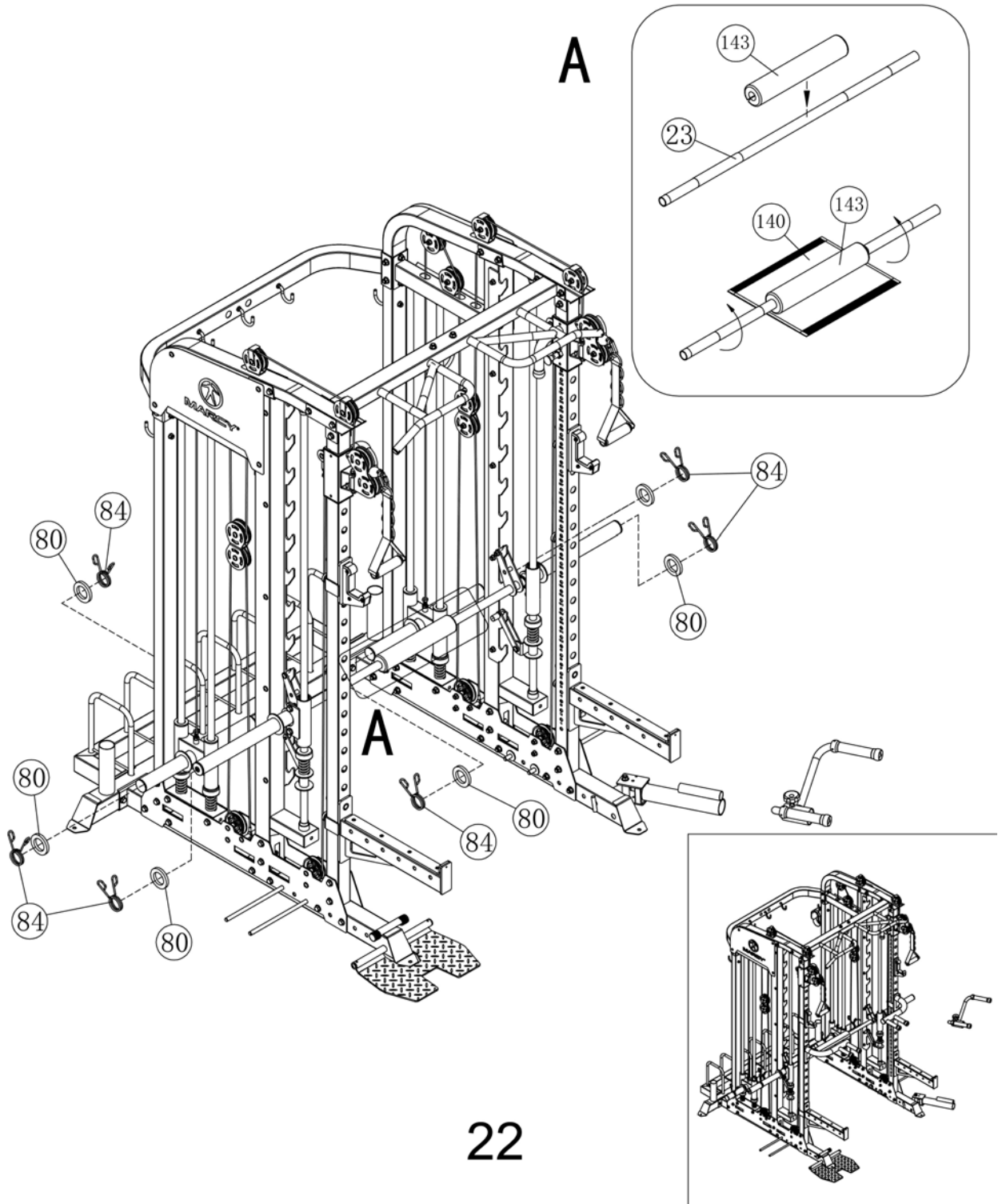


21

84

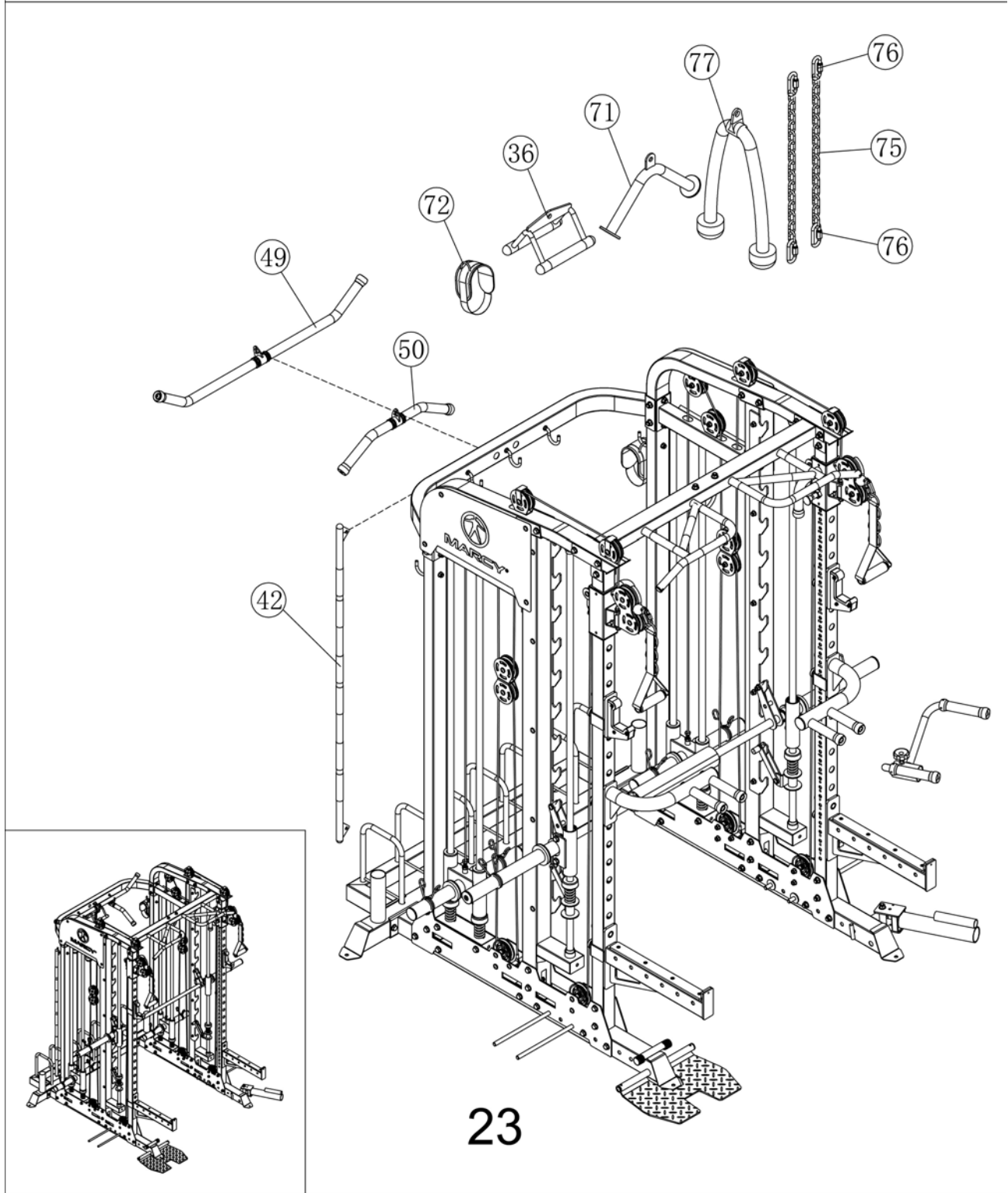


6



⑦⑥  4 Locking Carabiner Clip

⑦⑤  2 Chain



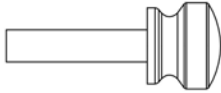
138



2

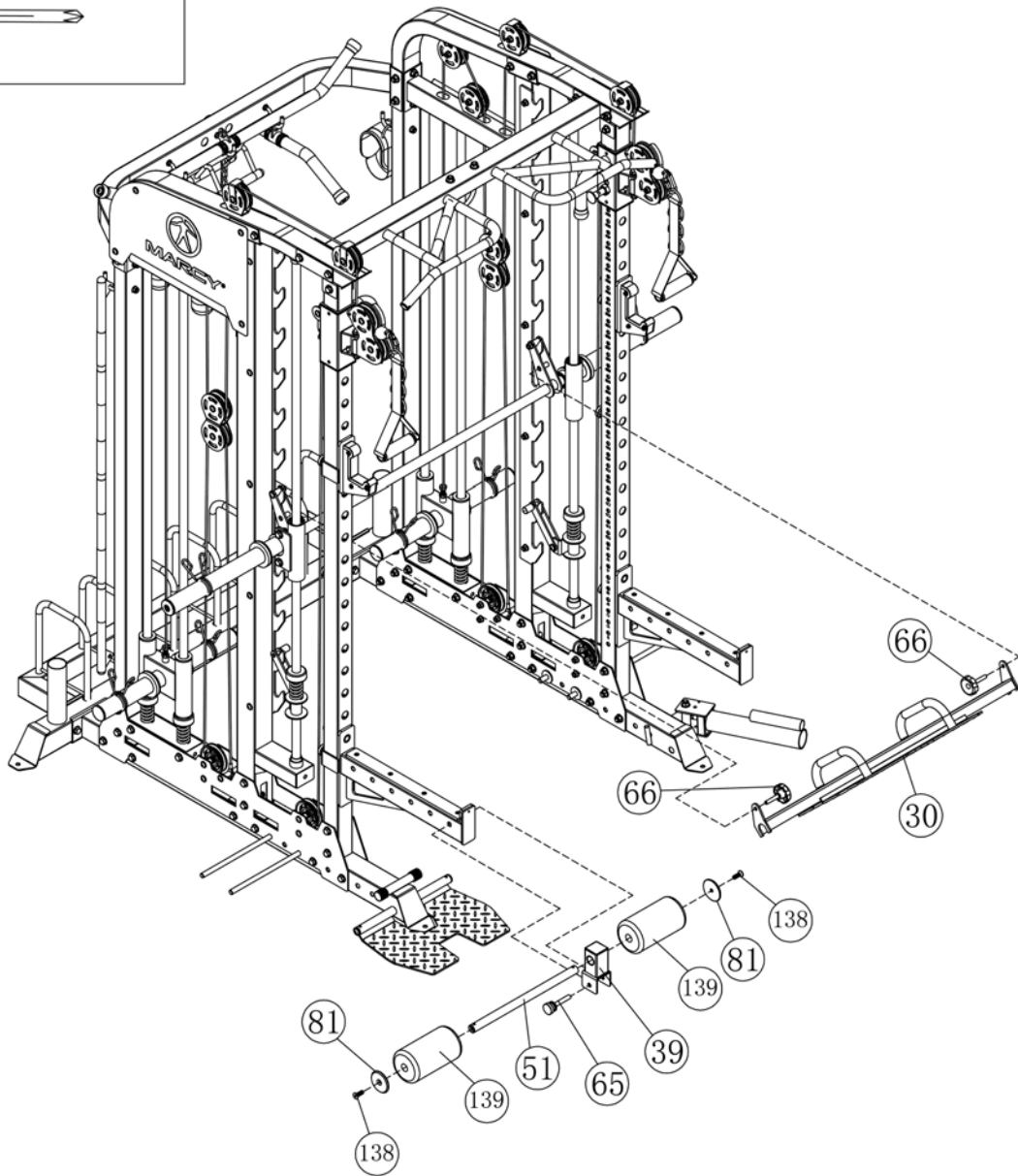
M10 × 1 1/8"

65

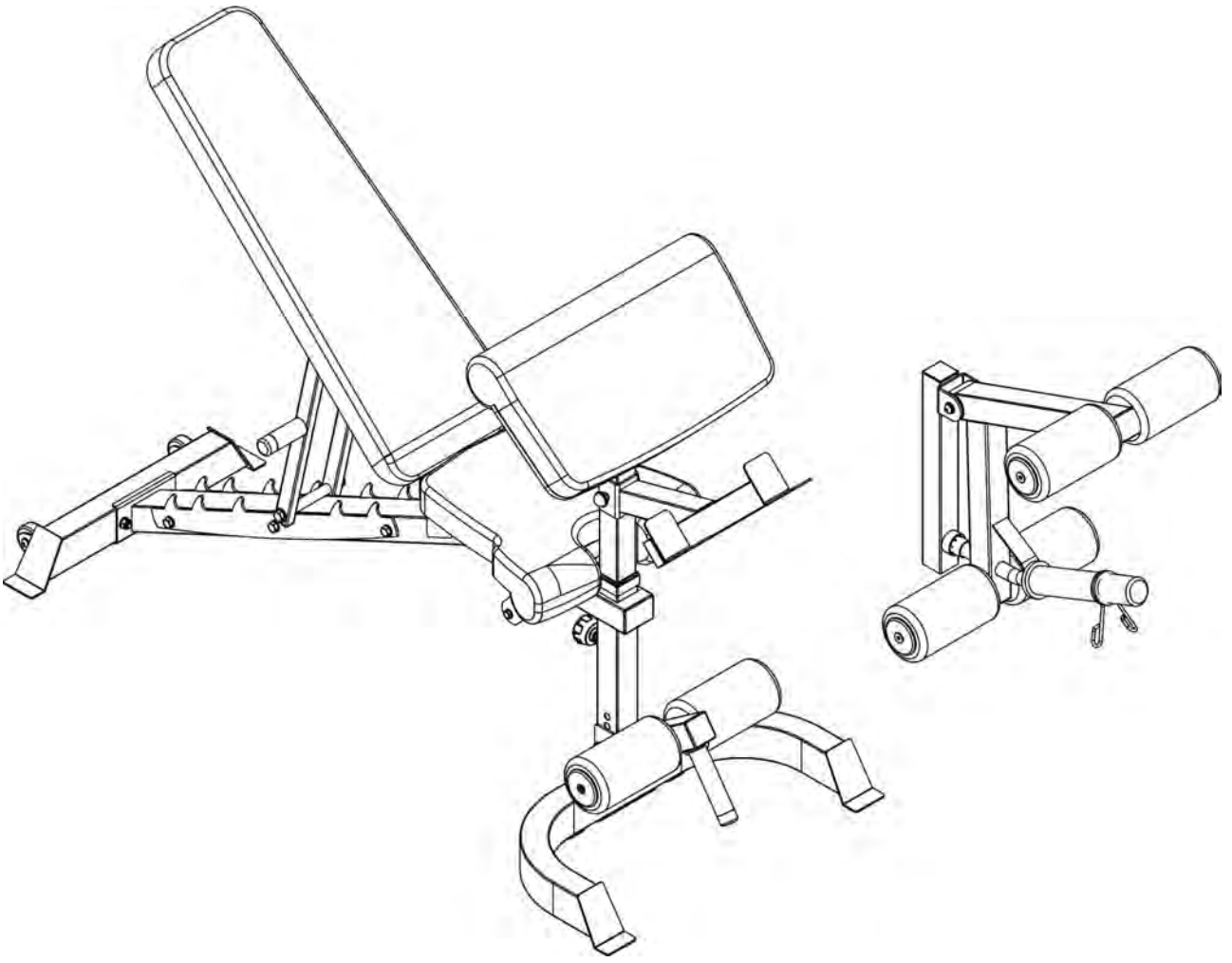


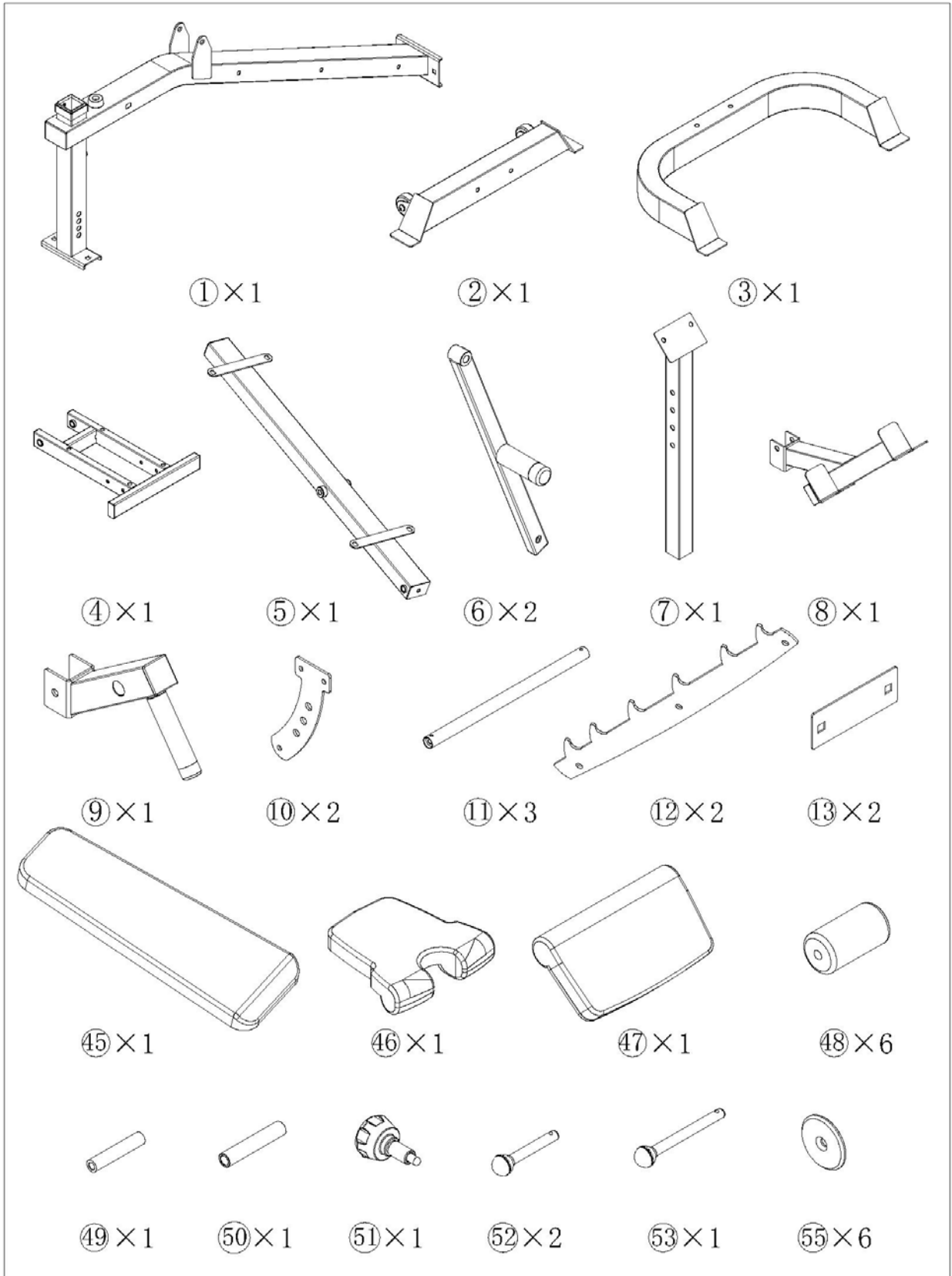
1

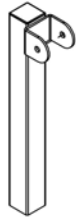
Ø 1 3/8" × Ø 1/2" × 4"



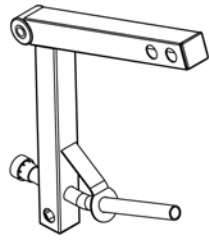
24







⑤8×1



⑤9×1



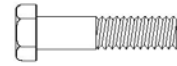
⑥3×1



⑥5×1



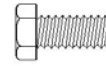
⑭×1



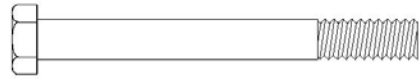
⑳×4



⑮×2



㉒×6



⑰×3



㉓×20



㉔×12



⑰×2



㉕×6



㉖×5



⑱×2



㉗×7



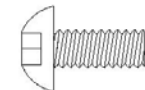
㉘×3



⑲×1



㉙×6



㉚×2



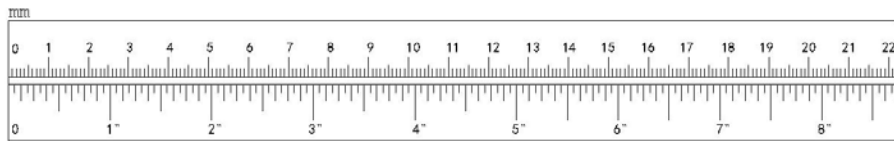
㉛×4





㉞×1



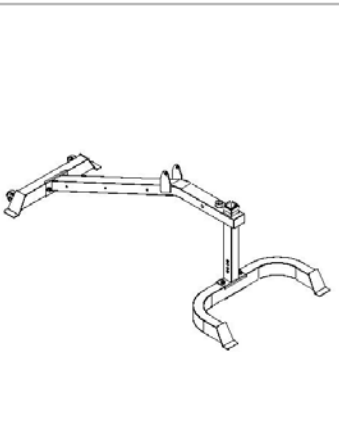
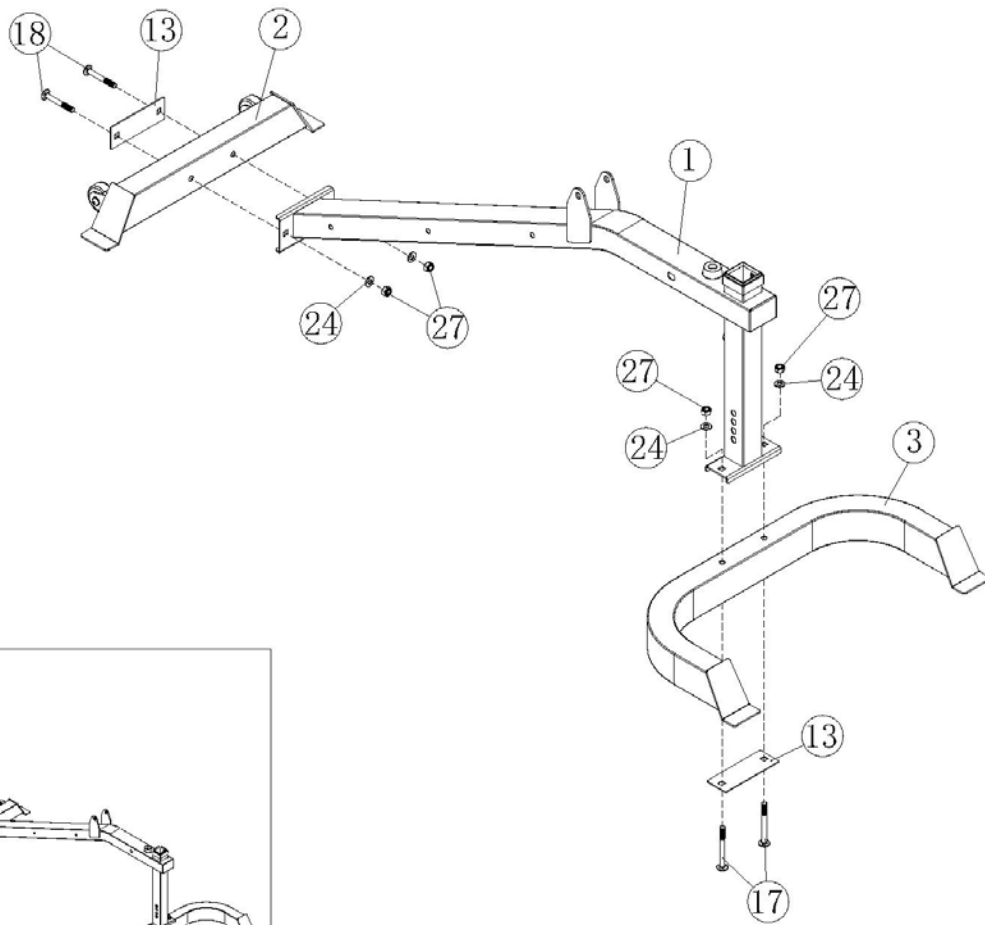
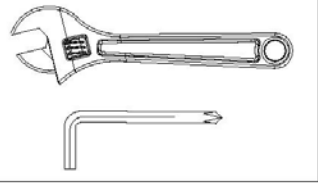
㉟×2



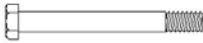


①⑦  2 M10×3 1/2" ①⑧  2 M10×2 3/4"

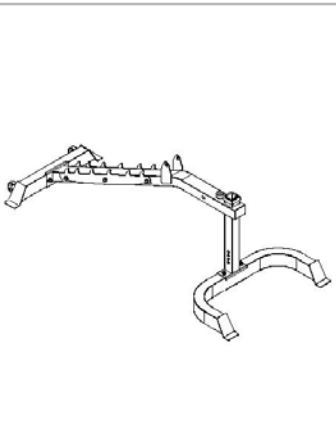
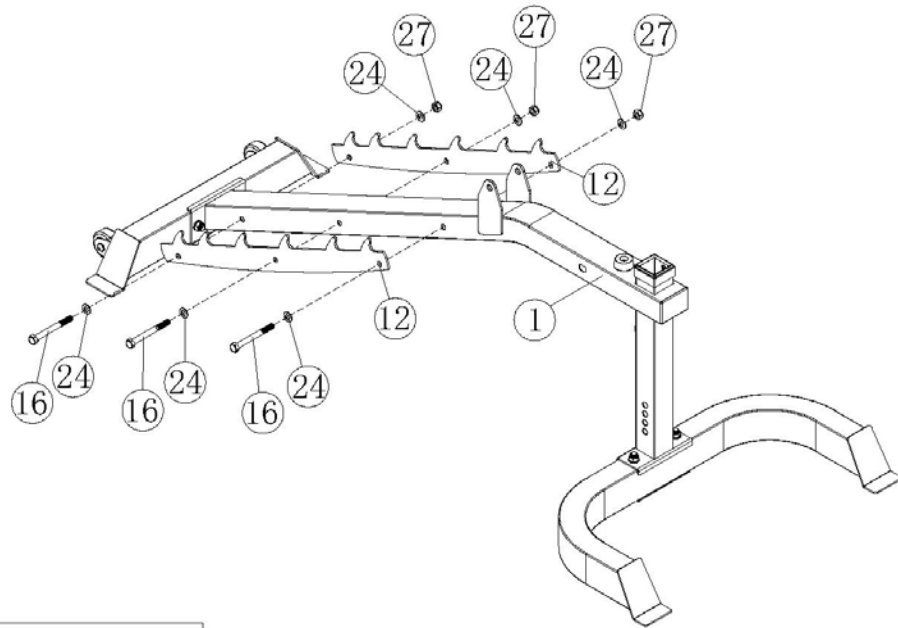
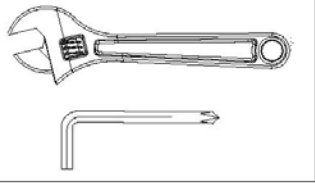
②④  4 Ø 3/4"

②⑦  4 M10

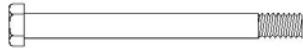




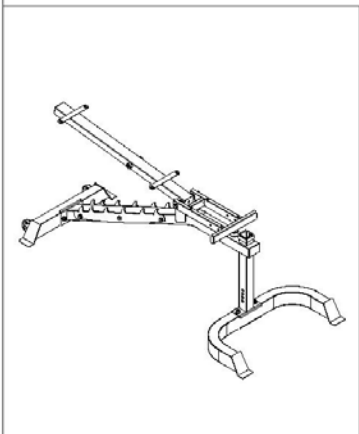
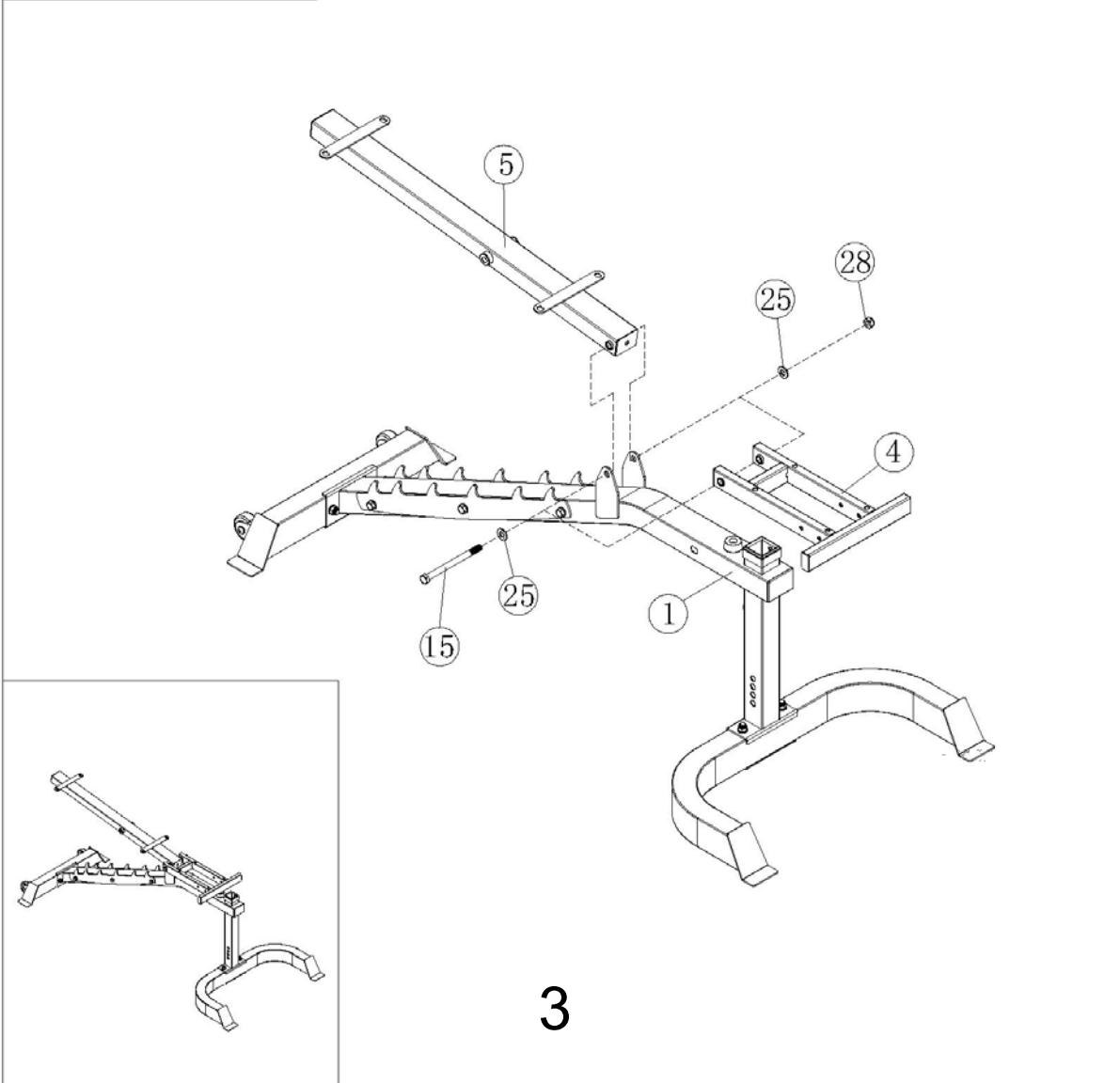
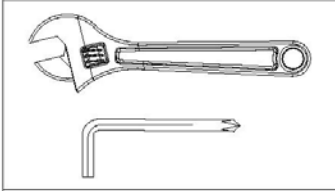
1

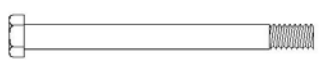

①⑥		3	M10 × 3 3/4"
②④		6	Ø 3/4"
②⑦		3	M10

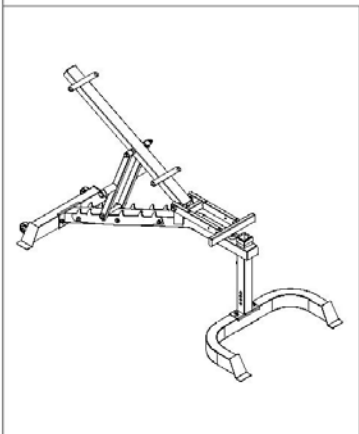
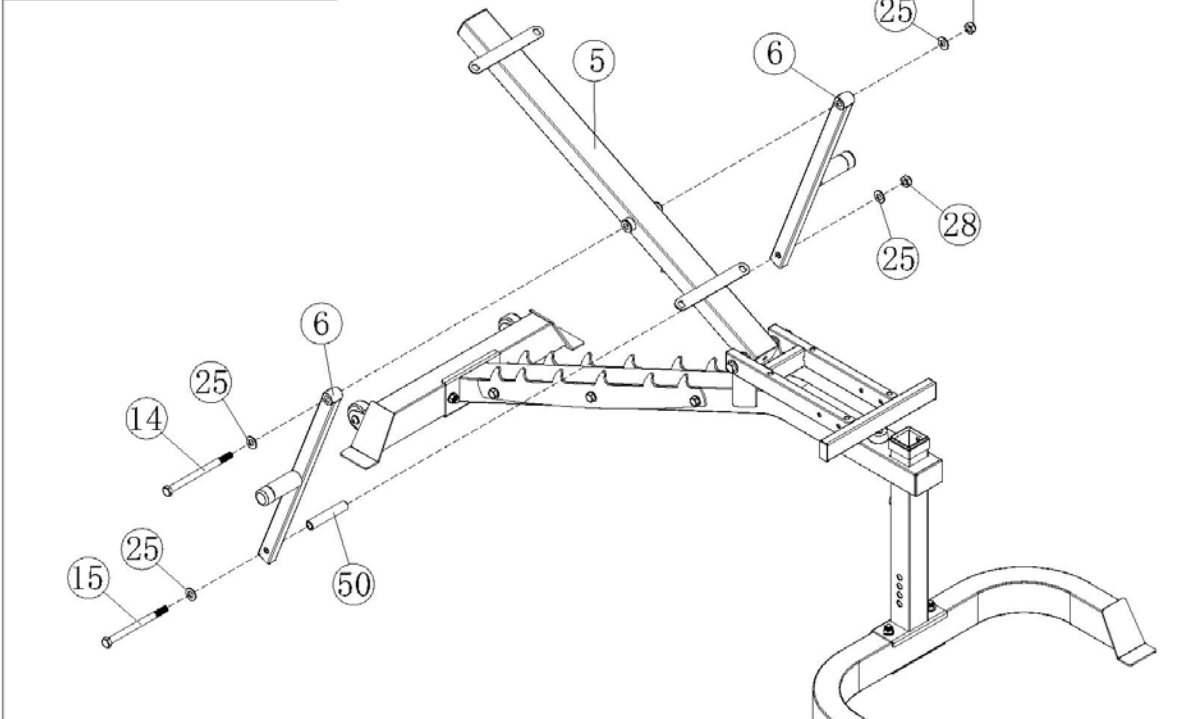
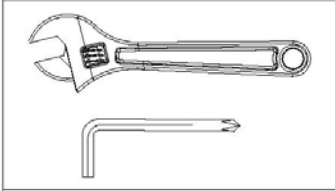


2





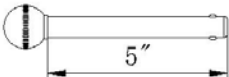
⑮		1	M12 × 6"
⑳		2	Ø 1"
㉘		1	M12

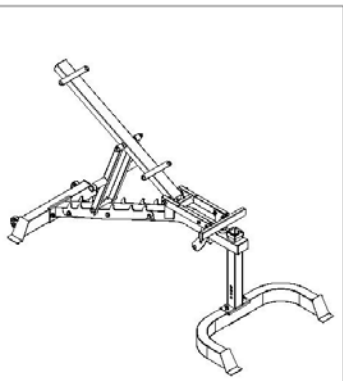
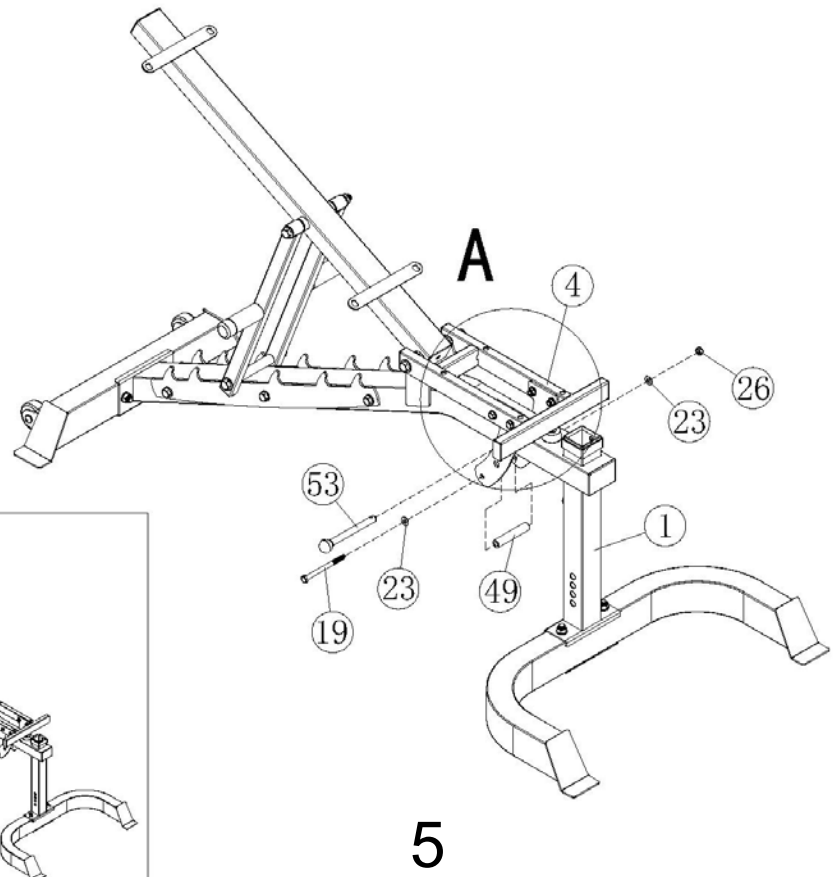
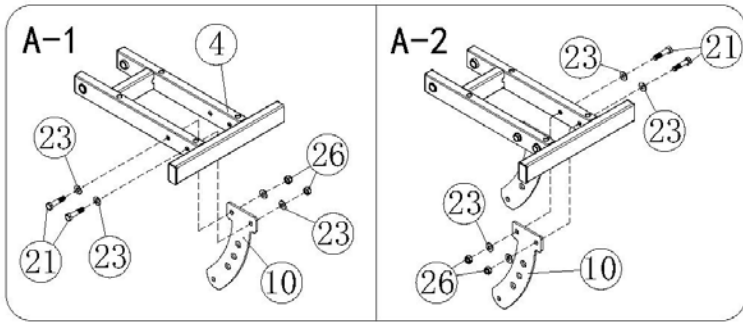
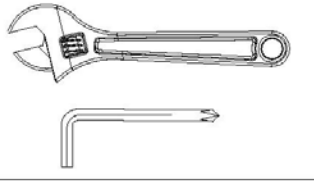


⑭		1	M12 × 6 1/4"				
⑮		1	M12 × 6"				
⑳		4	Ø 1"	㉔		2	M12

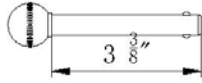


4

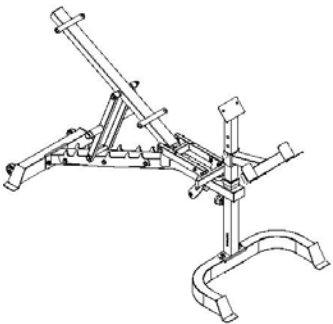
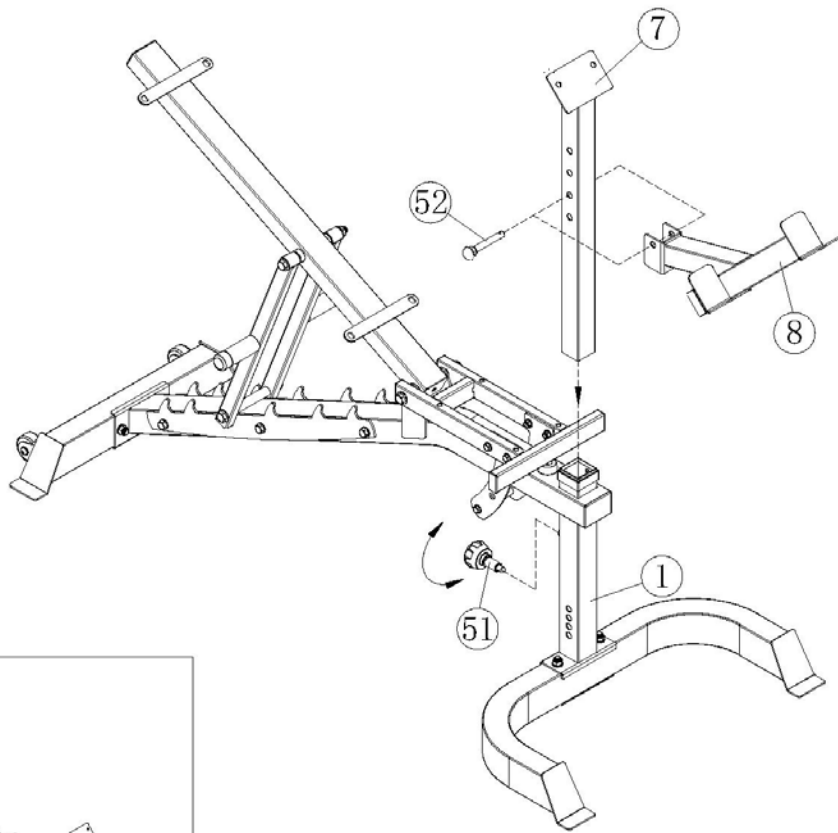
- | | | | | | | | |
|----|---|----|--------------------------------------|----|--|---|--------------------------------------|
| ①⑨ |  | 1 | M8 × 4" | ②① |  | 4 | M8 × 1 ³ / ₈ " |
| ②③ |  | 10 | ∅ ⁵ / ₈ " | ②⑥ |  | 5 | M8 |
| ⑤③ |  | 1 | ∅ ¹ / ₂ " × 5" | | | | |






52

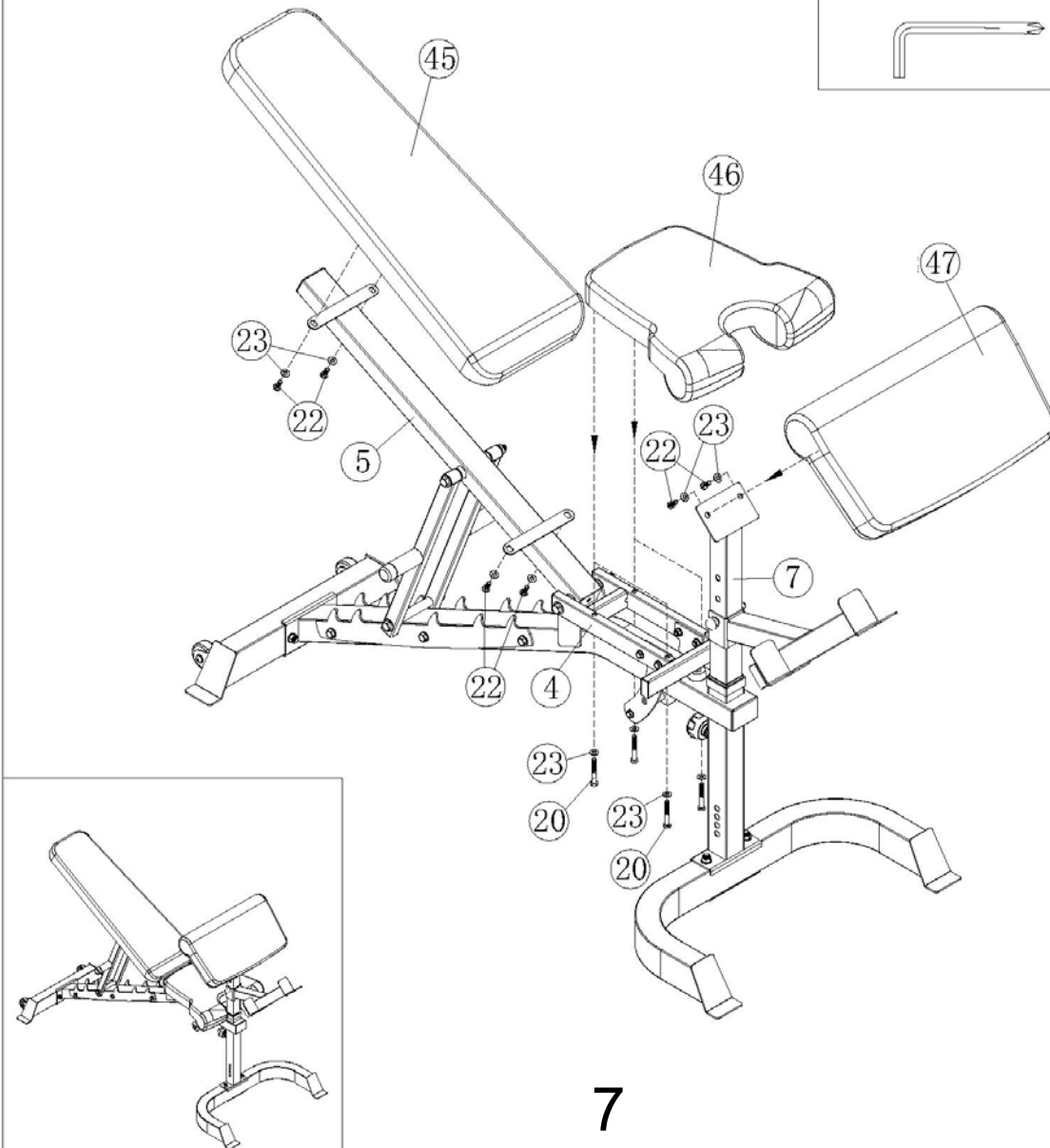
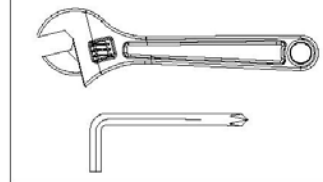


1 $\emptyset \frac{1}{2} \times 3 \frac{3}{8}$

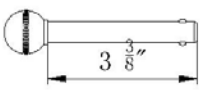


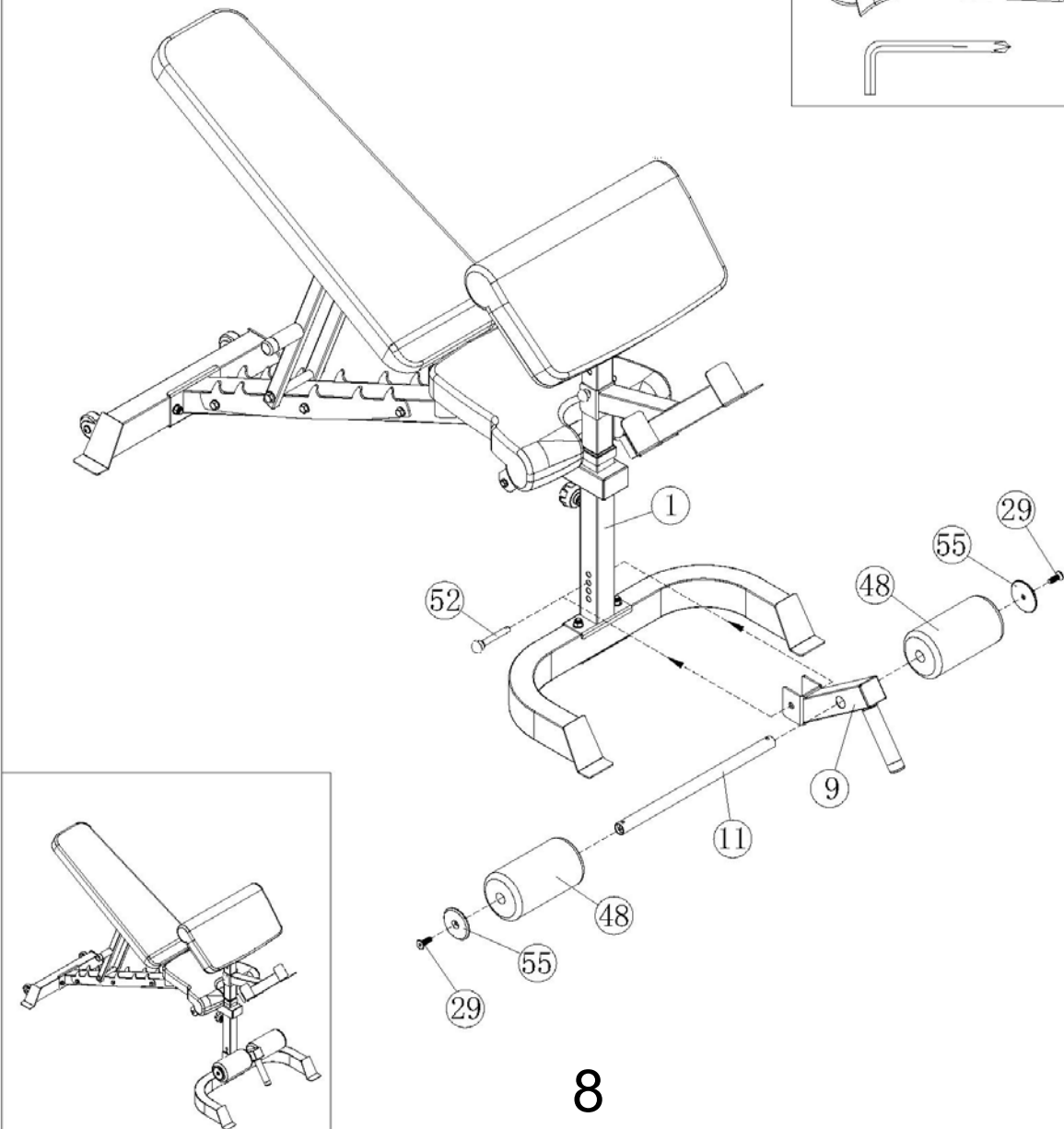
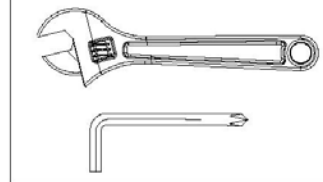
6



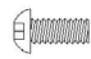
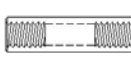

⑳		4	M8 × 2 1/8"
㉒		6	M8 × 3/4"
㉓		10	Ø 5/8"

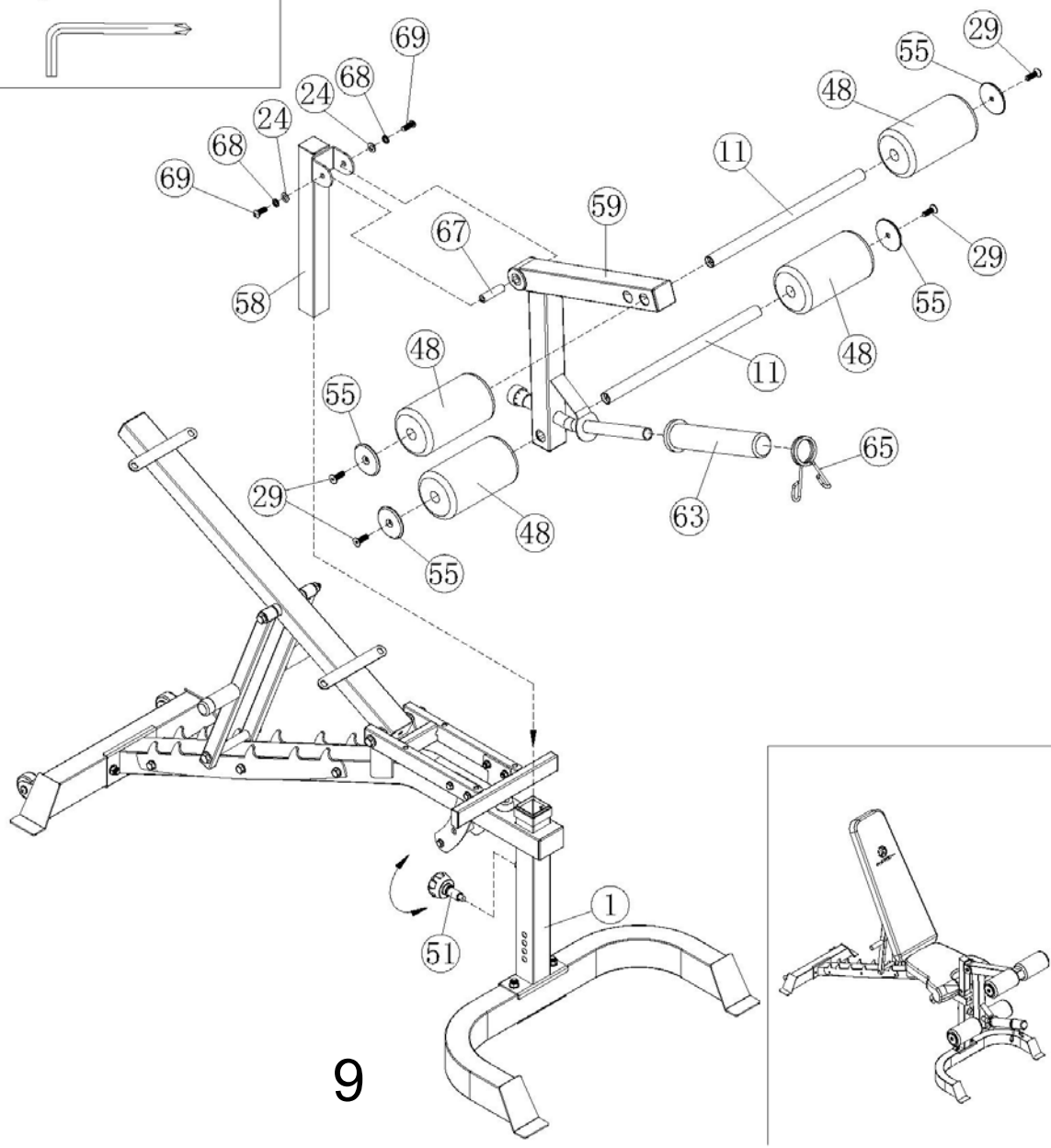
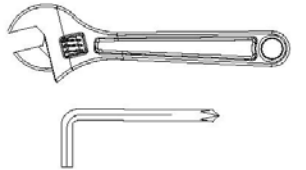


②9  2 M10 × 1 $\frac{1}{8}$ "

⑤2  1 $\varnothing \frac{1}{2}$ " × 3 $\frac{3}{8}$ "



②9		4	M10 × 1 1/8"	②4		2	Ø 3/4"
⑥9		2	M10 × 3/4"	⑥7		1	
⑥8		2	Ø 3/4" Spring Washer				



IMPEX® INC.

2801 S. Towne Ave. Pomona, CA 91766

Tel: (800) 999-8899

www.marcypro.com

support@impex-fitness.com